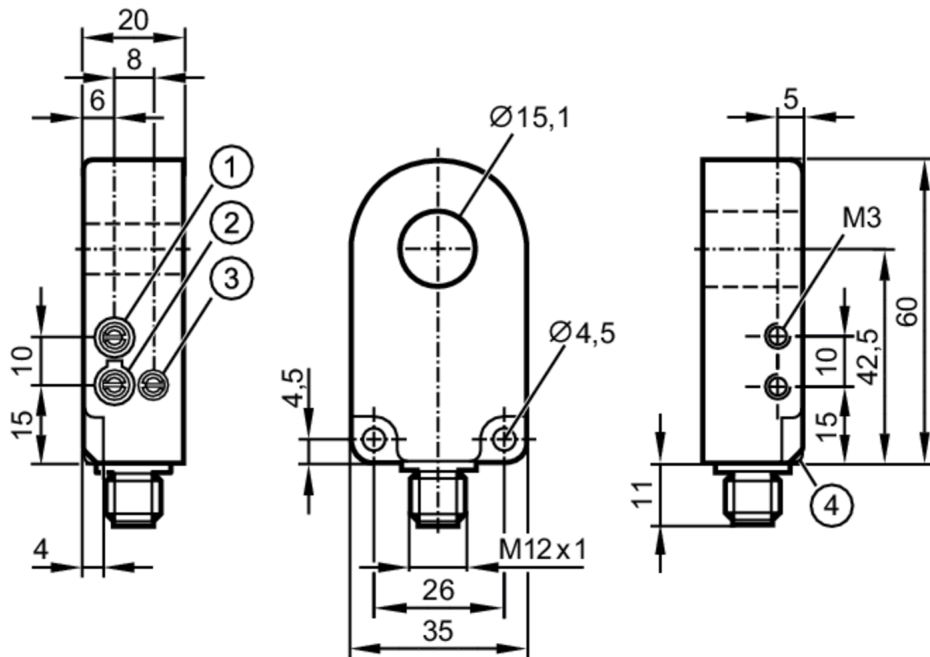


I7R207



Inductive ring sensor

I7R3015-FPKG/DY/US-100-IPF



- 1 sensitivity
- 2 Output function
- 3 pulse stretching time



Application

Operating principle dynamic

Electrical data

Operating voltage	[V]	10...35 DC
Current consumption	[mA]	< 20
Protection class		III
Reverse polarity protection		yes

Outputs

Electrical design		PNP
Output function		normally open / normally closed; (selectable)
Max. voltage drop switching output DC	[V]	2
Permanent current rating of switching output DC	[mA]	200
Short-circuit protection		yes
Overload protection		yes

Detection zone

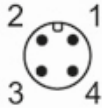
Resolution of steel ball (diameter)	[mm]	0.8
Max. part speed	[m/s]	35

I7R207



Inductive ring sensor

I7R3015-FPKG/DY/US-100-IPF

Response times		
Pulse stretching	[ms]	0.1...150
Pulse stretching adjustable		yes
Max. fall time	[ms]	0.2
Response time	[ms]	< 0.2
Operating conditions		
Ambient temperature	[°C]	-25...70
Protection		IP 67
Tests / approvals		
MTTF	[years]	556
UL approval	Ta	-25...70 °C
	Enclosure type	Type 4X (indoor use only) / 12 and 13
	voltage supply	Class 2
	File number UL	E174191
Mechanical data		
Weight	[g]	79.4
Housing		circular
Dimensions	[mm]	60 x 35 x 20
Inside diameter	[mm]	15.1
Materials		housing: PA; ring: POM
Displays / operating elements		
Display	switching status	1 x LED, yellow
Remarks		
Pack quantity		1 pcs.
Electrical connection - plug		
Connector: 1 x M12		
		

I7R207

Inductive ring sensor

I7R3015-FPKG/DY/US-100-IPF



Connection

