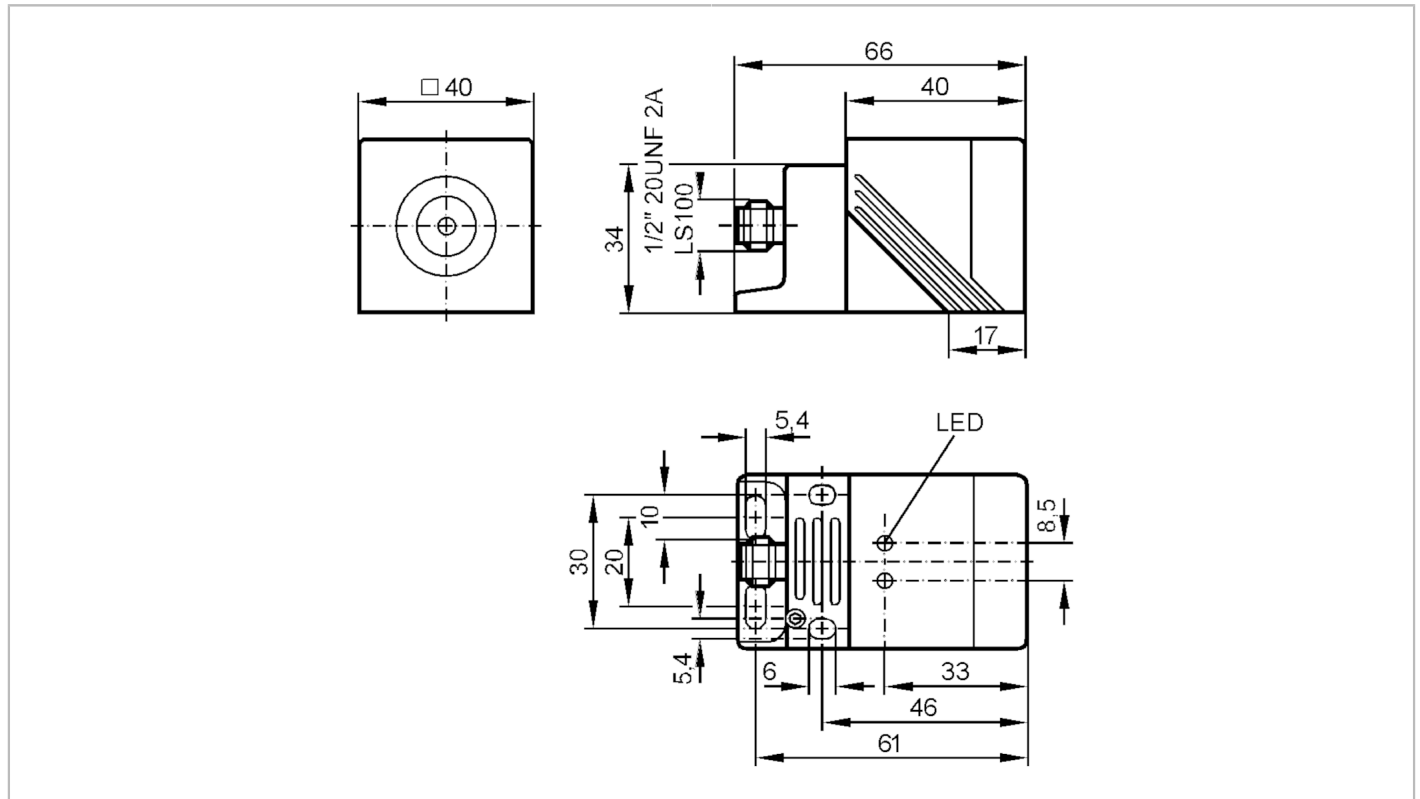


IM0057



Inductive sensor

IMC2035-BBOA/SL/LS-100AK




Electrical data	
Operating voltage [V]	20...250 AC/DC
Protection class	I
Reverse polarity protection	no
Outputs	
Output function	normally closed
Max. voltage drop switching output DC [V]	6
Max. voltage drop switching output AC [V]	6.5
Minimum load current [mA]	1.9
Max. leakage current [mA]	2.5 (250 V AC) / 1.3 (130 V AC) / 0.8 (24 V DC)
Permanent current rating of switching output AC [mA]	250; (350 (...50 °C))
Permanent current rating of switching output DC [mA]	100
Short-time current rating of switching output [mA]	2200; (20 ms / 0,5 Hz)
Switching frequency AC [Hz]	20
Switching frequency DC [Hz]	50
Short-circuit proof	no
Overload protection	no

IM0057



Inductive sensor

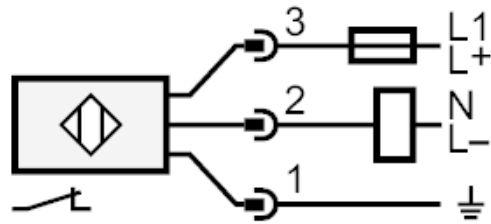
IMC2035-BBOA/SL/LS-100AK

Detection zone		
Sensing range	[mm]	35
Operating distance	[mm]	0...28.3
Increased sensing range		yes
Accuracy / deviations		
Correction factor		steel: 1 / stainless steel: 0.7 / brass: 0.4 / aluminium: 0.4 / copper: 0.3
Hysteresis	[% of Sr]	3...15
Operating conditions		
Ambient temperature	[°C]	-25...70
Protection		IP 67
Tests / approvals		
EMC		EN 60947-5-2
		EN 55011 class B
MTTF	[years]	600
Mechanical data		
Weight	[g]	165
Housing		rectangular
Mounting		non-flush mountable
Materials		PPE; clamp: PPS; connector housing: brass white bronze coated
Displays / operating elements		
Display		switching status 1 x LED, yellow
Electrical connection		
Required protection		miniature fuse to IEC60127-2 sheet 1; ≤ 2 A; fast acting
Remarks		
Remarks		Recommendation: Check the safe functioning of the unit after a short circuit. 5 positions of the active zone possible
Pack quantity		1 pcs.
Electrical connection - plug		
Connector: 1 x 1/2"		
		

IM0057

Inductive sensor

IMC2035-BBOA/SL/LS-100AK



Note miniature fuse to IEC60127-2 sheet 1 \leq 2 A fast acting