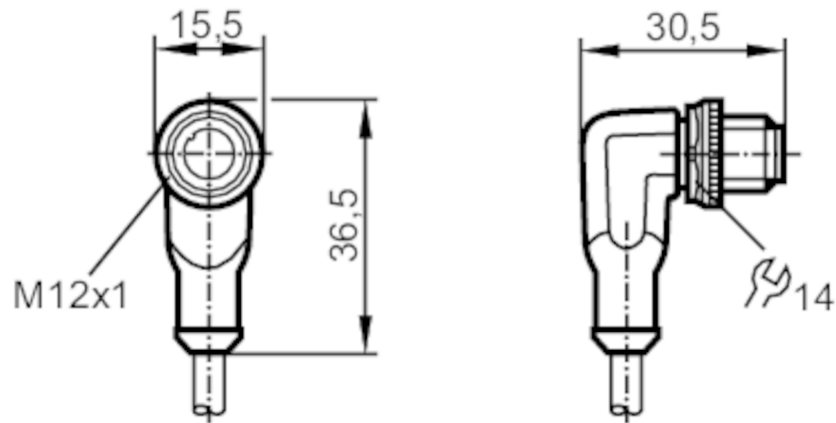


EVC596



Connecting cable with plug

ASTAH030MSS0020H03



Application

Free from silicone yes

Electrical data

Operating voltage [V] < 250 AC / < 300 DC

Protection class II

Max. current load total [A] 4

Operating conditions

Ambient temperature [°C] -25...90

Note on ambient temperature cULus: ...75 °C

Ambient temperature (moving) [°C] -25...90

Note on ambient temperature (moving) cULus: ...75 °C

Protection IP 65; IP 67; IP 68; IP 69K

Mechanical data

Weight [g] 589

Dimensions [mm] 30.5 x 15.5 x 36.5

Materials housing: TPU orange

Material nut brass

Drag chain suitability	bending radius for flexible use	min. 10 x cable diameter
	travel speed	max. 3.3 m/s for a horizontal travel length of 5 m and max. acceleration of 5 m/s ²
	bending cycles	> 5 Mio.
	torsional strain	± 180 °/m

Drag chain suitability yes

EVC596



Connecting cable with plug

ASTAH030MSS0020H03

Remarks

Pack quantity

1 pcs.

Electrical connection

Cable: 20 m, PUR, Halogen-free, black, Ø 4.9 mm; 3 x 0.34 mm² (42 x Ø 0.1 mm)

Electrical connection - plug

Connector: 1 x M12, angled; Locking: brass, nickel-plated; Contacts: gold-plated; Tightening torque: 0.6...1.5 Nm



Connection

1 ————— BN

3 ————— BU

4 ————— BK

Core colours :

BK = black
BN = brown
BU = blue