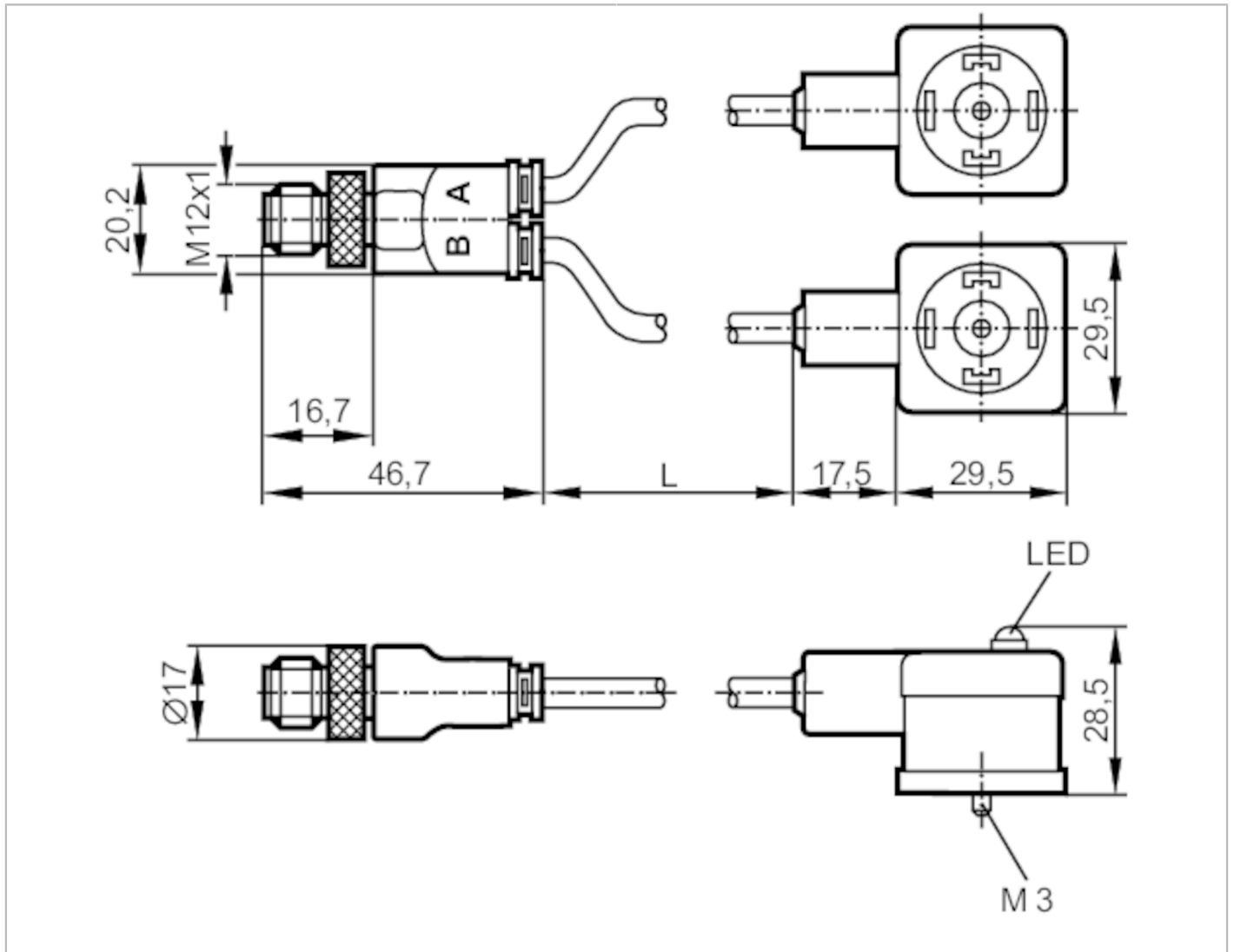


# E12068



## Y-jumper with valve plug

YVDA042--S0003A03STGH050MSS



Electrical data		
Operating voltage	[V]	10...30 DC
Oversvoltage protection		yes; (VDR)
Operating conditions		
Ambient temperature	[°C]	-25...90
Protection		IP 65
Mechanical data		
Weight	[g]	340
Materials		TPU
Material nut		brass / brass
Displays / operating elements		
Display	switching status	2 x LED, yellow
Accessories		
Accessories (supplied)		screw panel for labelling

# E12068



## Y-jumper with valve plug

YVDAA042--S0003A03STGH050MSS

### Remarks

Notes	discontinued article
Pack quantity	1 pcs.

### Electrical connection

Cable: 3 m, PUR, Halogen-free, black, Ø 4.8 mm; 3 x 0.5 mm<sup>2</sup> (16 x Ø 0.2 mm)

### Electrical connection - socket

Connector: 1 x valve type A DIN, angled; Moulded body: TPU; Locking: brass, nickel-plated

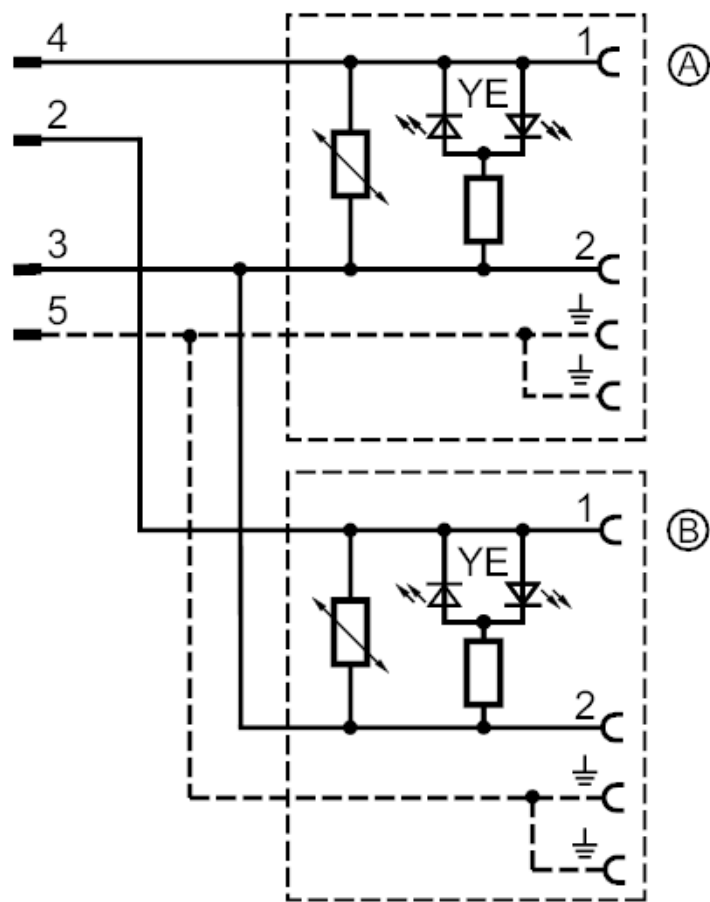
### Electrical connection - plug

Connector: 1 x M12, straight; Moulded body: TPU; Locking: brass, nickel-plated

### Electrical connection - 1.plug



### Connection



# E12068



## Y-jumper with valve plug

YVDAA042--S0003A03STGH050MSS

### Electrical connection - 2.socket

