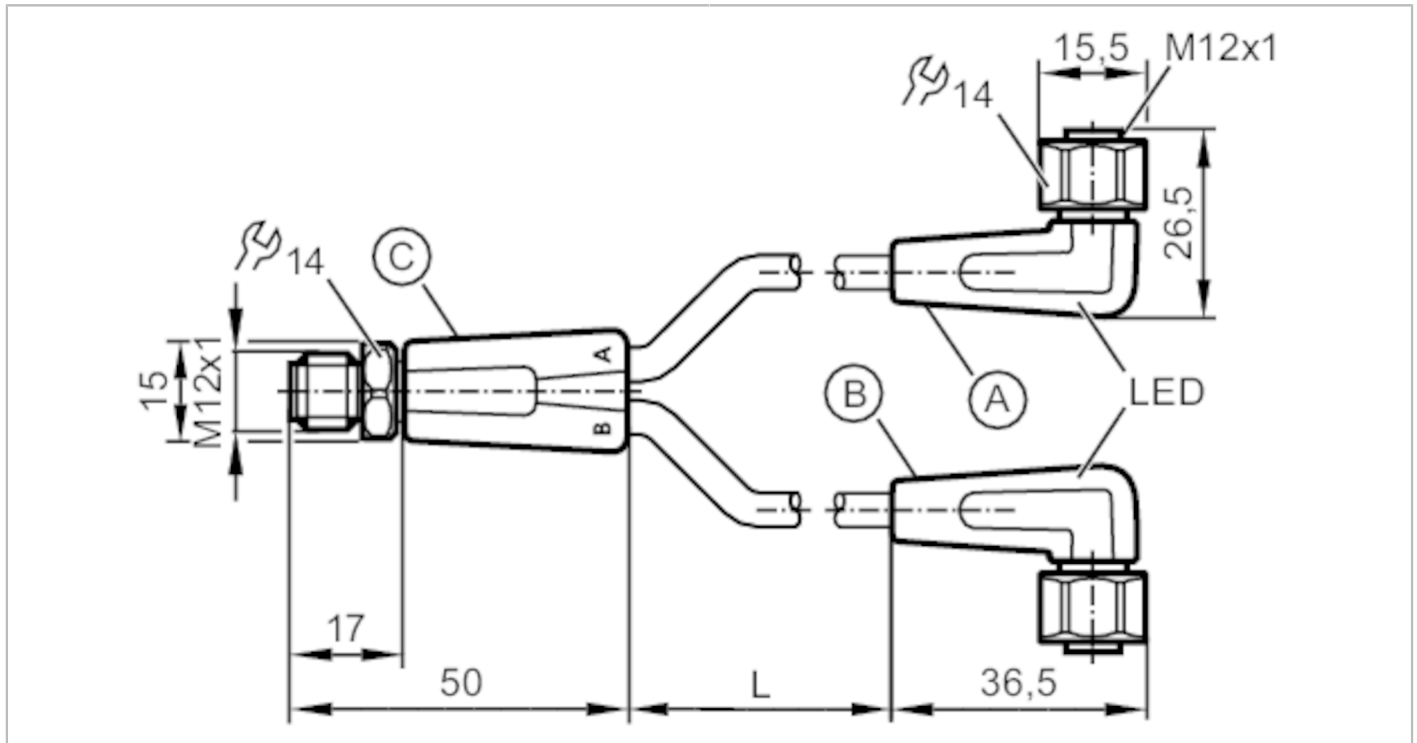


EVF337



Y connection cable

YDOAH032VAS0005P03STGH040VAS



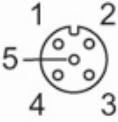

Application		
Application	hygienic and wet areas in the food industry	
Free from silicone	yes	
Electrical data		
Operating voltage [V]	10...36 DC	
Protection class	II	
Max. current load total [A]	4	
Outputs		
Electrical design	PNP	
Operating conditions		
Ambient temperature [°C]	-25...100	
Ambient temperature (moving) [°C]	5...100	
Protection	IP 65; IP 67; IP 68; IP 69K	
Mechanical data		
Weight [g]	312.2	
Materials	Connecting cable with plug: PP grey; Connecting cable with socket: PP black transparent; Sealing: EPDM	
Material nut	stainless steel (1.4404 / 316L) / stainless steel (1.4404 / 316L)	
Number of ports splitter box	2	
Drag chain suitability	bending radius for flexible use	min. 10 x cable diameter
	travel speed	max. 3.3 m/s for a horizontal travel length of 5 m and max. acceleration of 5 m/s ²
	bending cycles	> 1 Mio.
	torsional strain	± 180 °/m
Drag chain suitability	yes	

EVF337



Y connection cable

YDOAH032VAS0005P03STGH040VAS

Displays / operating elements		
Display	switching status	1 x LED, yellow
	operation	1 x LED, green
Remarks		
Pack quantity	1 pcs.	
Electrical connection		
Cable: 5 m, MPPE, Halogen-free, grey, Ø 4.9 mm; 3 x 0.34 mm ² (42 x Ø 0.1 mm)		
Electrical connection - socket		
Connector: 2 x M12; Locking: stainless steel (1.4404 / 316L); Contacts: gold-plated; Tightening torque: 0.6...1.5 Nm		
		
Electrical connection - plug		
Connector: 2 x M12; Locking: stainless steel (1.4404 / 316L); Contacts: gold-plated; Tightening torque: 0.6...1.2 Nm		
		

EVF337



Y connection cable

YDOAH032VAS0005P03STGH040VAS

Connection

