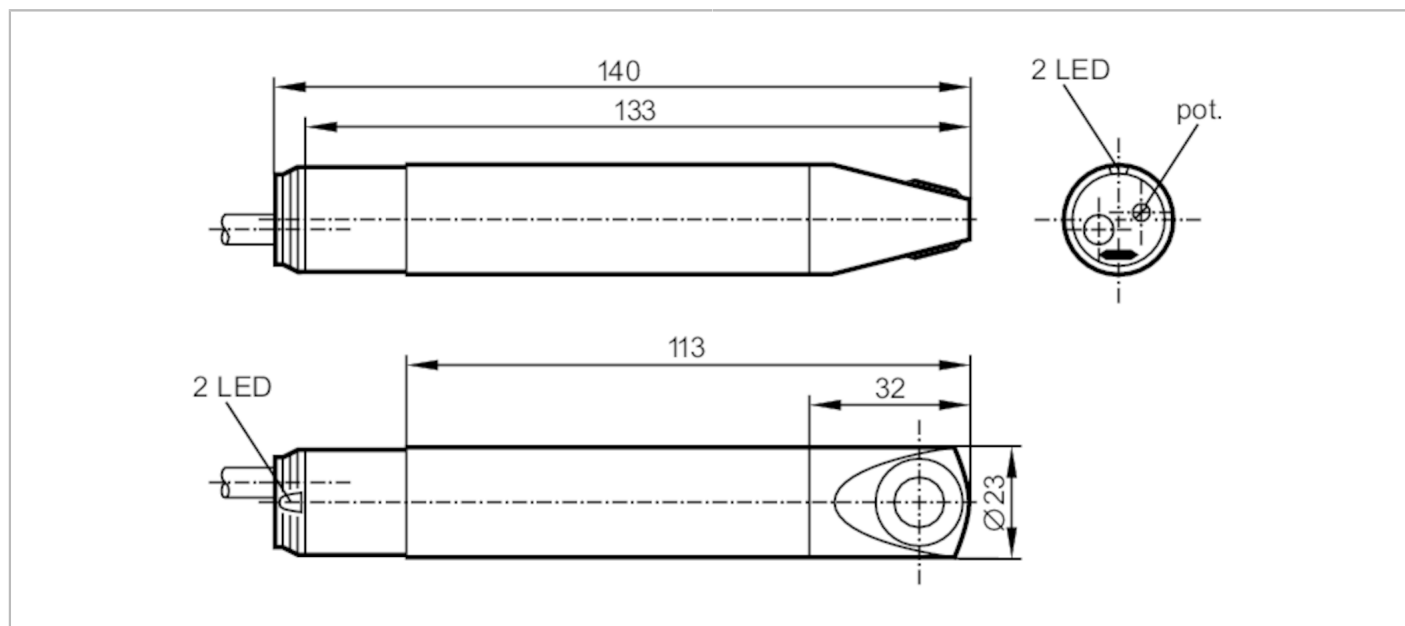


SL0301



Air flow monitors

SLG23CEEAKOA/PH



Application		
Medium temperature	[°C]	-10...50
Pressure rating	[bar]	1
Electrical data		
Operating voltage	[V]	80...250 AC / 90...250 DC
Min. insulation resistance	[MΩ]	100; (500 V DC)
Reverse polarity protection		no
Power-on delay time	[s]	60
Inputs / outputs		
Number of inputs and outputs		Number of relay outputs: 1
Outputs		
Output signal		switching signal
Number of relay outputs		1
Contact rating		3 A (30 V DC / 250 V AC)
Switching function flow monitoring		relay energised when flow is present
Short-circuit proof		no
Overload protection		no
Measuring/setting range		
Gases		
Setting range	[cm/s]	100...1000
Greatest sensitivity	[cm/s]	100...400
Accuracy / deviations		
Temperature gradient	[K/min]	5
Response times		
Response time	[s]	3...60

SL0301



Air flow monitors

SLG23CEEAKOA/PH

Gases		
Response time	[s]	3...60
Software / programming		
Adjustment of the switch point		potentiometer
Operating conditions		
Ambient temperature	[°C]	-10...50
Max. relative air humidity	[%]	90
Protection		IP 65
Tests / approvals		
MTTF	[years]	747
Mechanical data		
Weight	[g]	203
Dimensions	[mm]	Ø 23 / L = 142
Materials		PBT
Materials (wetted parts)		sensor surface: titanium
Process connection		Ø 23 mm
Displays / operating elements		
Display	function	1 x LED, red
	function	1 x LED, green
Electrical connection		
Required protection		miniature fuse to IEC60127-2 sheet 1; ≤ 5 A; fast acting
Accessories		
Accessories (supplied)		Mounting clamp: 1, E40048 screwdrivers
Remarks		
Remarks		Recommendation Check the safe functioning of the unit after a short circuit.
Pack quantity		1 pcs.

SL0301



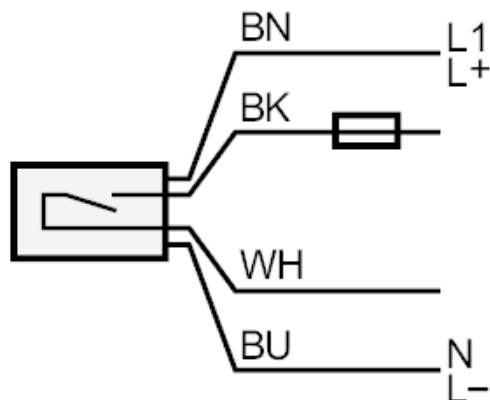
Air flow monitors

SLG23CEEAKOA/PH

Electrical connection

Cable: 2 m, PUR; 4 x 0.5 mm²

Connection



Note miniature fuse to IEC60127-2 sheet 1 ≤ 5 A fast acting

Core colours :

BN =	brown
BU =	blue
BK =	black
WH =	white