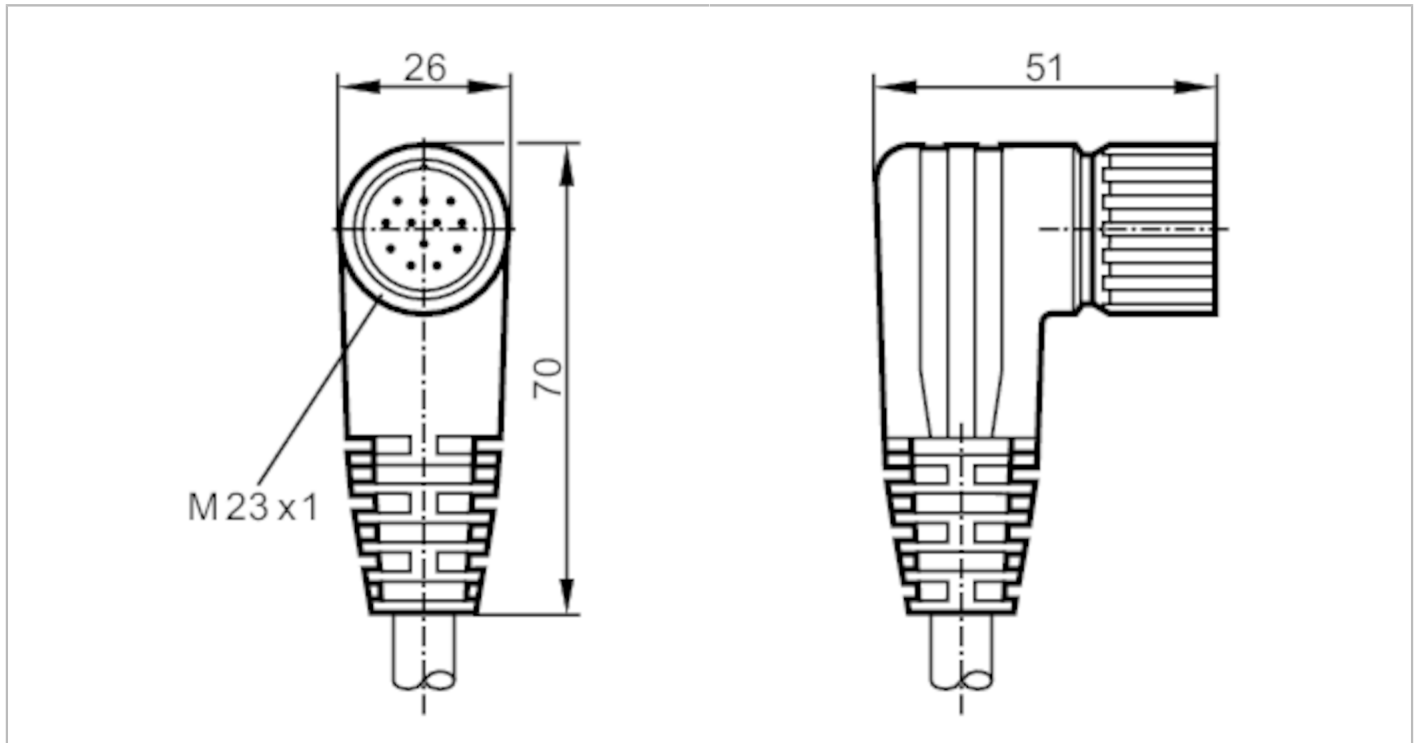


E11747



Connecting cable with socket

ADOAK190MSS0015H19



Electrical data

Operating voltage	[V]	< 63 AC/DC
Max. current load total	[A]	8

Operating conditions

Ambient temperature	[°C]	-25...80
Protection		IP 67

Mechanical data

Weight	[g]	3285
Dimensions	[mm]	51 x 26 x 70
Materials		PUR black
Material nut		brass
Tightening torque	[Nm]	2

Remarks

Pack quantity		1 pcs.
---------------	--	--------

Electrical connection

Cable: 15 m, PUR, Halogen-free, black, Ø 11.6 mm; 16 x 0.5 mm² (63 x Ø 0.1 mm) + 3 x 1.0 mm² (127 x Ø 0.1 mm)

Electrical connection - socket

Connector: 1 x M23, angled; Moulded body: PUR; Locking: brass, nickel-plated



E11747



Connecting cable with socket

ADOAK190MSS0015H19

Connection

1	VT
2	RD
3	GY
4	RD/BU
5	GN
6	BU
7	GY/PK
8	WH/GN
9	WH/YE
10	WH/GY
11	BK
12	GN/YE
13	YE/BN
14	BN/GN
15	WH
16	YE
17	PK
18	GY/BN
19	BN

Core colours :

BK =	black
BN =	brown
BU =	blue
GN =	green
GY =	grey
PK =	pink
RD =	red
VT =	lilac
WH =	white
YE =	yellow

E11747

Connecting cable with socket

ADOAK190MSS0015H19

