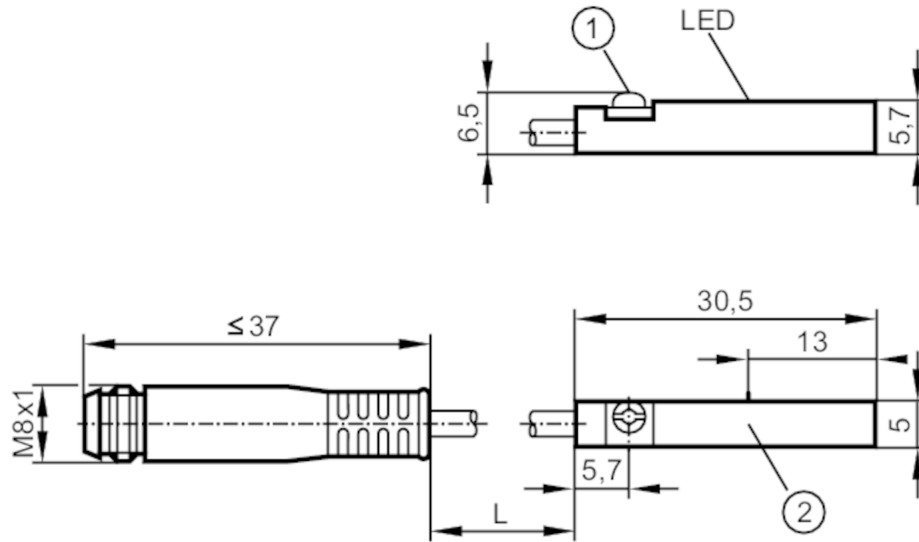


MR0129



T-slot cylinder sensor with reed contact

MRT3038BBKOA/R/0,3M/ZH/AS



- 1 fastening clamp with combined slot / hexagon socket head hexagonal socket AF 1.5
2 Sensing face



Electrical data

Operating voltage	[V]	5...50 AC/DC; (External protective circuit for inductive load (valve, contactor, etc.) necessary.)
Protection class		III
Reverse polarity protection		no

Outputs

Electrical design		PNP
Output function		normally open
Max. voltage drop switching output DC	[V]	1
Max. voltage drop switching output AC	[V]	1
Permanent current rating of switching output AC	[mA]	350
Permanent current rating of switching output DC	[mA]	500
Switching frequency AC	[Hz]	1000
Switching frequency DC	[Hz]	1000
Max. switching power	[W]	10
Short-circuit proof		no
Overload protection		no

Detection zone

Response sensitivity	[mT]	3.8
Travel speed	[m/s]	10

MR0129



T-slot cylinder sensor with reed contact

MRT3038BBKOA/R/0,3M/ZH/AS

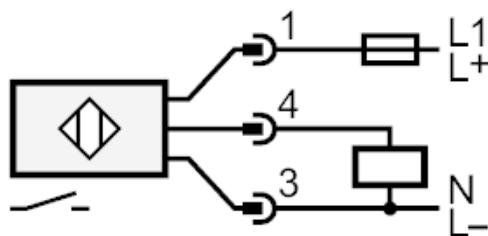
Accuracy / deviations		
Hysteresis	[mm]	1
Repeatability	[mm]	< 0.2
Response times		
Max. fall time	[ms]	0.1
Max. make time incl. bounce	[ms]	0.6
Operating conditions		
Ambient temperature	[°C]	-25...70
Protection		IP 65; IP 67
Tests / approvals		
EMC	EN 61000-4-2 ESD	- CD / 8 kV AD
	EN 61000-4-3 HF radiated	10 V/m
	EN 61000-4-4 Burst	2 kV
	EN 61000-4-6 HF conducted	10 V
	EN 55011	class B
MTTF	[years]	20384
UL approval	UL Approval no.	C004
Mechanical data		
Weight	[g]	12.2
Mounting		flush mountable
Cylinder type		T-slot cylinders
Dimensions	[mm]	30.5 x 5 x 6.5
Materials		PA; fastening clamp: stainless steel
Displays / operating elements		
Display	switching status	1 x LED, yellow
Electrical connection		
Connection		plug
Required protection		miniature fuse to IEC60127-2 sheet 1; ≤ 0,75 A; fast acting; DC operation; ≤ 0,6 A; fast acting; AC operation
Accessories		
Accessories (supplied)		rubber placeholder: 1
		Cable clip: 1
Remarks		
Remarks		operating voltage "supply class 2" according to cULus
Pack quantity		1 pcs.
Electrical connection - plug		
Cable: 0.3 m, PUR		
Connector: 1 x M8; Locking: snap-fit		

MR0129



T-slot cylinder sensor with reed contact

MRT3038BBKOA/R/0,3M/ZH/AS



Note miniature fuse to IEC60127-2 sheet 1

≤ 0.75 A fast acting DC operation

≤ 0.6 A fast acting AC operation