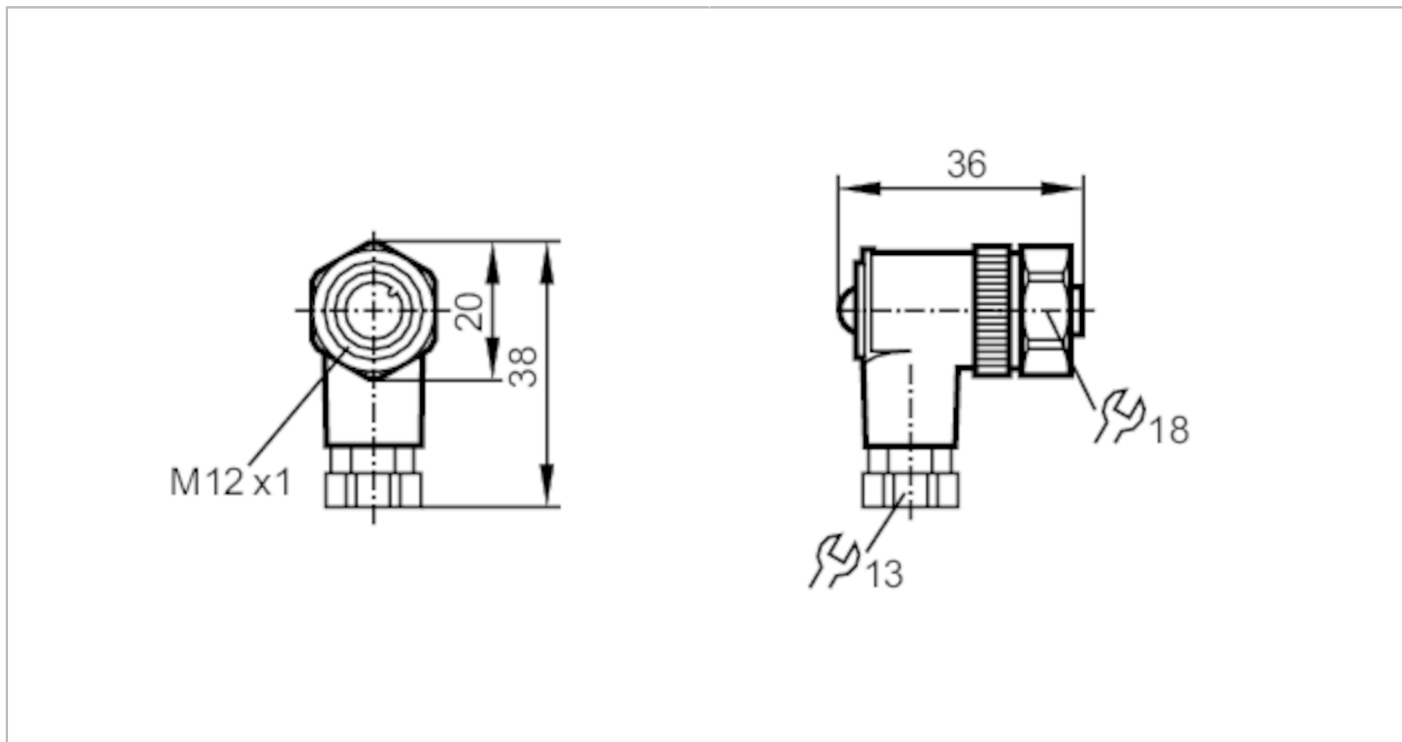


E11865



Wirable socket

SDOAH050VASFKPG



Application

Free from silicone	yes
--------------------	-----

Electrical data

Operating voltage	[V]	< 60 AC/DC
Max. current load total	[A]	4; (...40 °C)

Operating conditions

Ambient temperature	[°C]	-25...85
Protection		IP 67

Mechanical data

Weight	[g]	28.6
Materials		PA
Material nut		stainless steel

Remarks

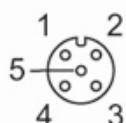
Pack quantity	1 pcs.
---------------	--------

Electrical connection

screw terminals: ...0.75 mm²; Cable sheath: Ø 4...6 mm

Electrical connection - socket

Connector: 1 x M12, angled; Moulded body: PA; Locking: stainless steel; Contacts: gold-plated



E11865

Wirable socket

SDOAH050VASFKPG



Connection

