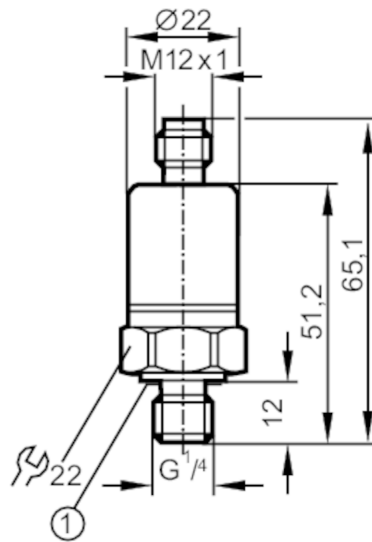


PC9050



Pressure transmitter

PT-400-SBG14-C-DVG/ IW



- 1 Sealing
Tightening torque 25 Nm



Application

Application	for mobile applications
Media	liquids and gases
Medium temperature [°C]	-25...90; (on request: -40...100 °C)
Pressure rating [bar]	600
Min. bursting pressure [bar]	1600
Type of pressure	relative pressure

Electrical data

Operating voltage [V]	5 DC; (ratiometric)
Current consumption [mA]	< 6
Min. insulation resistance [MΩ]	100; (80 V DC)
Protection class	III
Reverse polarity protection	yes

Inputs / outputs

Number of inputs and outputs	Number of analogue outputs: 1
------------------------------	-------------------------------

Outputs

Total number of outputs	1
Output signal	analogue signal
Number of analogue outputs	1
Analogue voltage output [V]	0.5...4.5
Min. load resistance [Ω]	5000

Measuring/setting range

Measuring range [bar]	0...400
-----------------------	---------

PC9050



Pressure transmitter

PT-400-SBG14-C-DVG/ W

Accuracy / deviations		
Repeatability	[% of the span]	$< \pm 0,1$; (with temperature fluctuations < 10 K)
Characteristics deviation	[% of the span]	$< \pm 1,0$; (incl. drift when overtightened, zero point and span error)
Linearity deviation	[% of the span]	$< \pm 0,25$ (BFSL) / $< \pm 0,5$ (LS)
Hysteresis deviation	[% of the span]	$< \pm 0,2$
Long-term stability	[% of the span]	$< \pm 0,1$; (per 6 months)
Temperature drift per 10 K		$< \pm 0,5$
Temperature drift per 10 K		$< \pm 0,5$
Response times		
Step response time analogue output	[ms]	8
Operating conditions		
Ambient temperature	[°C]	-25...90
Storage temperature	[°C]	-40...100
Protection		IP 67; IP 69K
Tests / approvals		
EMC	noise immunity	according to the automotive directive 1995/54/EC
	ISO 11452-2	100 V/m
	ISO 11452-4	100 mA / severity level 4
	DIN EN 61000-4-2 ESD	4 kV CD / 8 kV AD
	DIN EN 61000-6-2	
	radiation of interference	
	CISPR 25	
DIN EN 61000-6-3		
Shock resistance	DIN EN 60068-2-27	50 g (11 ms)
Vibration resistance	DIN EN 60068-2-6	20 g (10...2000 Hz)
MTTF	[years]	3896
Mechanical data		
Weight	[g]	77
Materials		stainless steel (1.4404 / 316L); PA
Materials (wetted parts)		stainless steel (1.4404 / 316L); FKM
Min. pressure cycles		50 million
Process connection		threaded connection G 1/4 external thread
Restrictor element integrated		yes
Remarks		
Remarks		BFSL = Best Fit Straight Line LS = limit value setting
Pack quantity		1 pcs.
Electrical connection		
Connector: 1 x M12		

PC9050

Pressure transmitter

PT-400-SBG14-C-DVG/ IW



Connection

