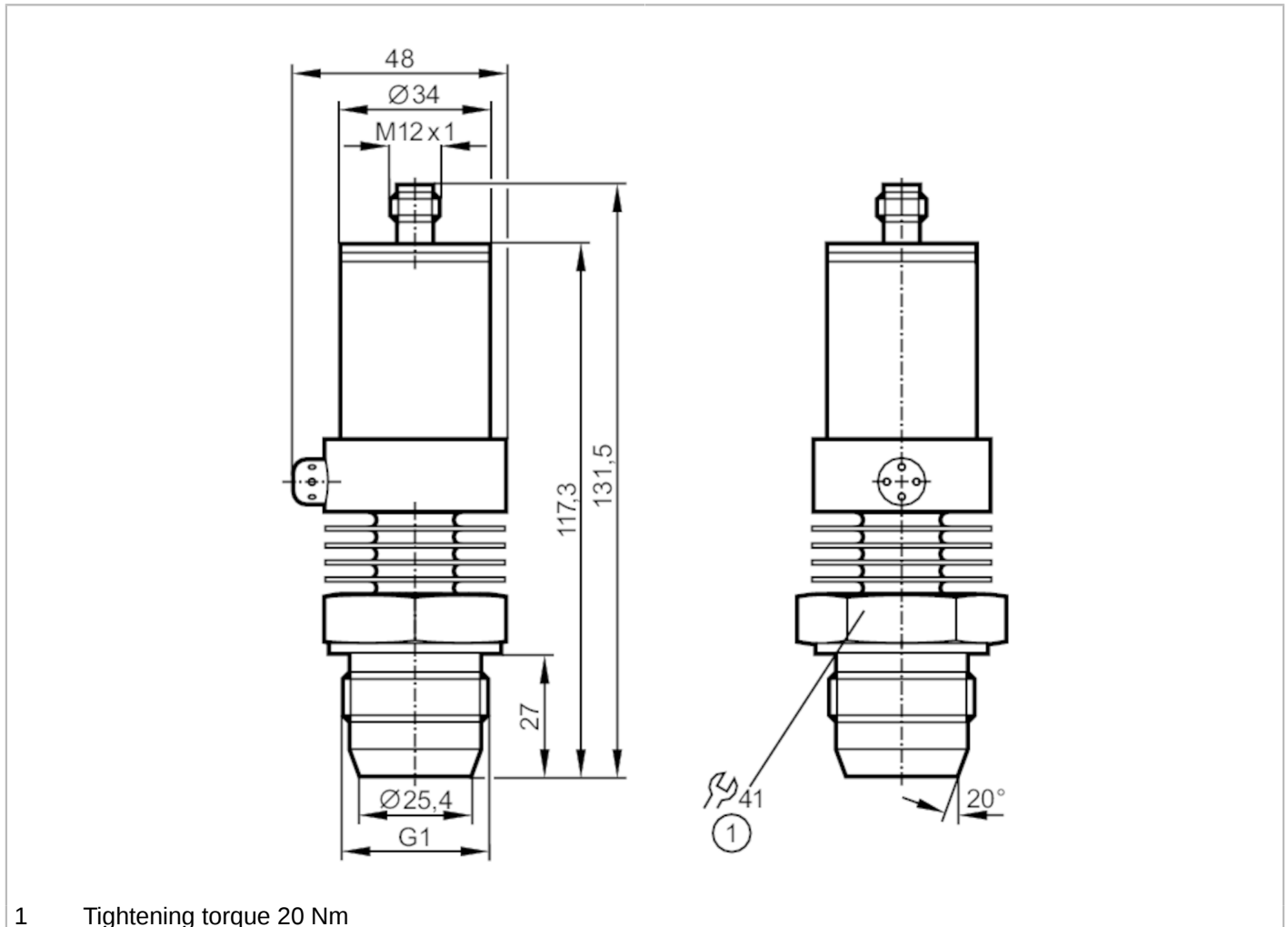


# PM2657



## Flush pressure transmitter

PM-001BREA01-E-ZVG/US/ IP



1 Tightening torque 20 Nm



Application	
Application	hygienic systems
Media	viscous media and liquids with suspended particles; liquids and gases
Medium temperature [°C]	-25...125; (145 max. 1h)
Pressure rating	10000 mbar   145 psi   1000 kPa
Min. bursting pressure	30000 mbar   450 psi   3000 kPa
Type of pressure	relative pressure
No dead space	yes
Electrical data	
Operating voltage [V]	14...30 DC
Min. insulation resistance [MΩ]	100; (500 V DC)
Protection class	III
Reverse polarity protection	yes
Inputs / outputs	
Number of inputs and outputs	Number of analogue outputs: 1

# PM2657



## Flush pressure transmitter

PM-001BREA01-E-ZVG/US/ IP

Outputs			
Total number of outputs	1		
Output signal	analogue signal		
Number of analogue outputs	1		
Analogue current output [mA]	4...20		
Max. load [ $\Omega$ ]	550; ( $U_b = 24\text{ V}$ ; ( $U_b - 13\text{ V}$ ) / 20 mA)		
Overload protection	yes		
Measuring/setting range			
Measuring range	-50...1000 mbar	-0.7...14.5 psi	-5...100 kPa
Analogue start point	-50...749 mbar	-0.7...10.9 psi	-5...74.9 kPa
Analogue end point	200...999 mbar	2.9...14.5 psi	20...99.9 kPa
In steps of	1 mbar	0.1 psi	0.1 kPa
Factory setting		ASP = 0 mbar	AEP = 999 mbar
Accuracy / deviations			
Repeatability [% of the span]	< $\pm 0,1$ ; (with temperature fluctuations < 10 K; Turn down 1:1)		
Characteristics deviation [% of the span]	< $\pm 0,6$ ; (Turn down 1:1 linearity, incl. hysteresis and repeatability limit value setting to DIN 16086)		
Linearity deviation [% of the span]	< $\pm 0,5$ ; (Turn down 1:1)		
Hysteresis deviation [% of the span]	< $\pm 0,1$ ; (Turn down 1:1)		
Long-term stability [% of the span]	< $\pm 0,1$ ; (Turn down 1:1; per year)		
Temperature coefficient zero point [% of the span / 10 K]	< $\pm 0,1$ ; (0...80 °C)		
Temperature coefficient span [% of the span / 10 K]	< $\pm 0,2$ ; (0...80 °C)		
Response times			
Max. response time analogue output [ms]	3		
Software / programming			
Parameter setting options	zero point; span		
Interfaces			
Communication interface	EPS		
Operating conditions			
Ambient temperature [°C]	-25...80		
Storage temperature [°C]	-40...100		
Protection	IP 67		

# PM2657



## Flush pressure transmitter

PM-001BREA01-E-ZVG/US/ IP

Tests / approvals		
EMC	EN 61000-4-2 ESD	4 kV CD / 8 kV AD
	EN 61000-4-3 HF radiated	10 V/m
	EN 61000-4-4 Burst	2 kV
	EN 61000-4-6 HF conducted	10 V
Shock resistance	DIN IEC 68-2-27	50 g (11 ms)
Vibration resistance	DIN IEC 68-2-6	20 g (10...2000 Hz)
MTTF	[years]	271

Mechanical data	
Weight	[g] 529.2
Materials	stainless steel (1.4404 / 316L); PEI; FKM
Materials (wetted parts)	ceramics (99.9 % Al <sub>2</sub> O <sub>3</sub> ); PTFE; stainless steel (1.4435 / 316L); surface characteristics: Ra < 0,4 / Rz 4
Min. pressure cycles	100 million
Process connection	threaded connection G 1 external thread sealing cone

Remarks	
Remarks	The 3-A qualification is only valid if adapters with 3-A qualification are used for installation.
Pack quantity	1 pcs.

### Electrical connection

Connector: 1 x M12; Contacts: gold-plated



### Connection

