

# AC315A

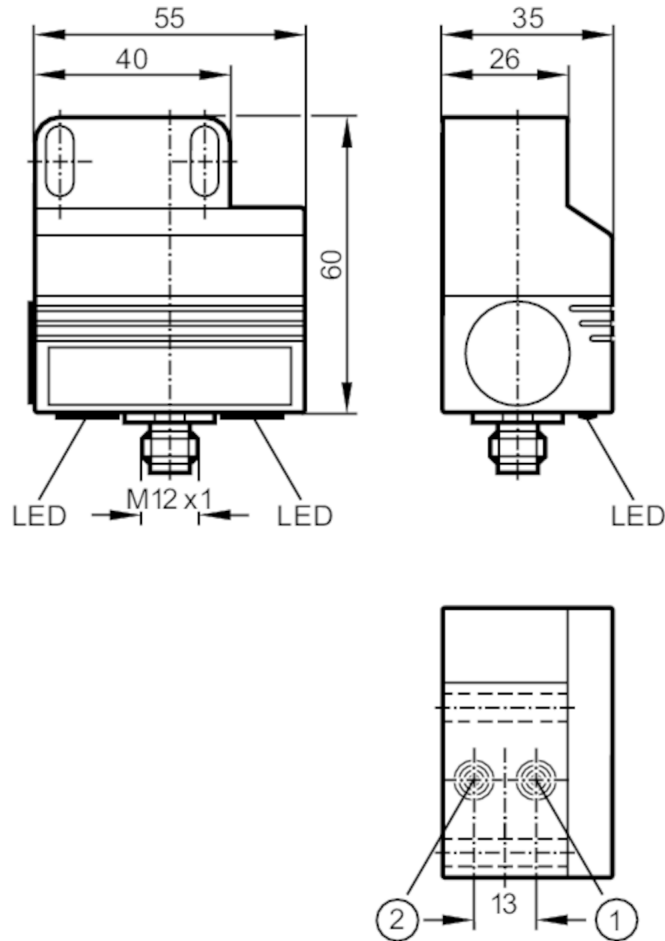


## AS-Interface dual sensor for pneumatic quarter-turn actuators

DUAL SENSOR T4 2SI 3D

Status Archive

/AC336A



- 1 sensor 1
- 2 sensor 2



### Electrical data

Operating voltage	[V]	26.5...31.6 DC
Current consumption	[mA]	< 40
Protection class		III

### Detection zone

Sensing range	[mm]	4
---------------	------	---

### Operating conditions

Ambient temperature	[°C]	-10...60
Protection		IP 5x; (when used outside the hazardous area: IP 67)

### Tests / approvals

ATEX marking		Ex II 3D Ex tD A22 IP5X T80°C X Ta: -10...60°C
Note on ATEX marking		only in conjunction with the mounting plate
EMC		EN 50295
MTTF	[years]	924

# AC315A



## AS-Interface dual sensor for pneumatic quarter-turn actuators

DUAL SENSOR T4 2SI 3D

### AS-i classification

AS-i version		2.1
Extended addressing mode possible		yes
AS-i I/O configuration [hex]		0
AS-i ID code [hex]		A.F
AS-i certificate		74901

### Mechanical data

Weight [g]		163.8
Mounting		non-flush mountable
Dimensions [mm]		55 x 60 x 35
Materials		PBT; connector housing: stainless steel (1.4305 / 303)

### Displays / operating elements

Display	switching status	2 x LED, yellow
---------	------------------	-----------------

### Accessories

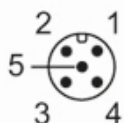
Accessories (supplied)	Mounting plate: 1 socket head screws: 2 x M5 x 35
------------------------	--

### Remarks

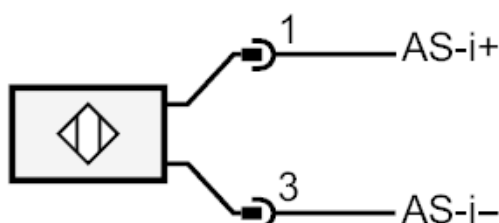
Pack quantity	1 pcs.
---------------	--------

### Electrical connection - plug

Connector: 1 x M12



### Connection



Status Archive

# AC315A



**AS-Interface dual sensor for pneumatic quarter-turn  
actuators**

DUAL SENSOR T4 2SI 3D

/AC336A