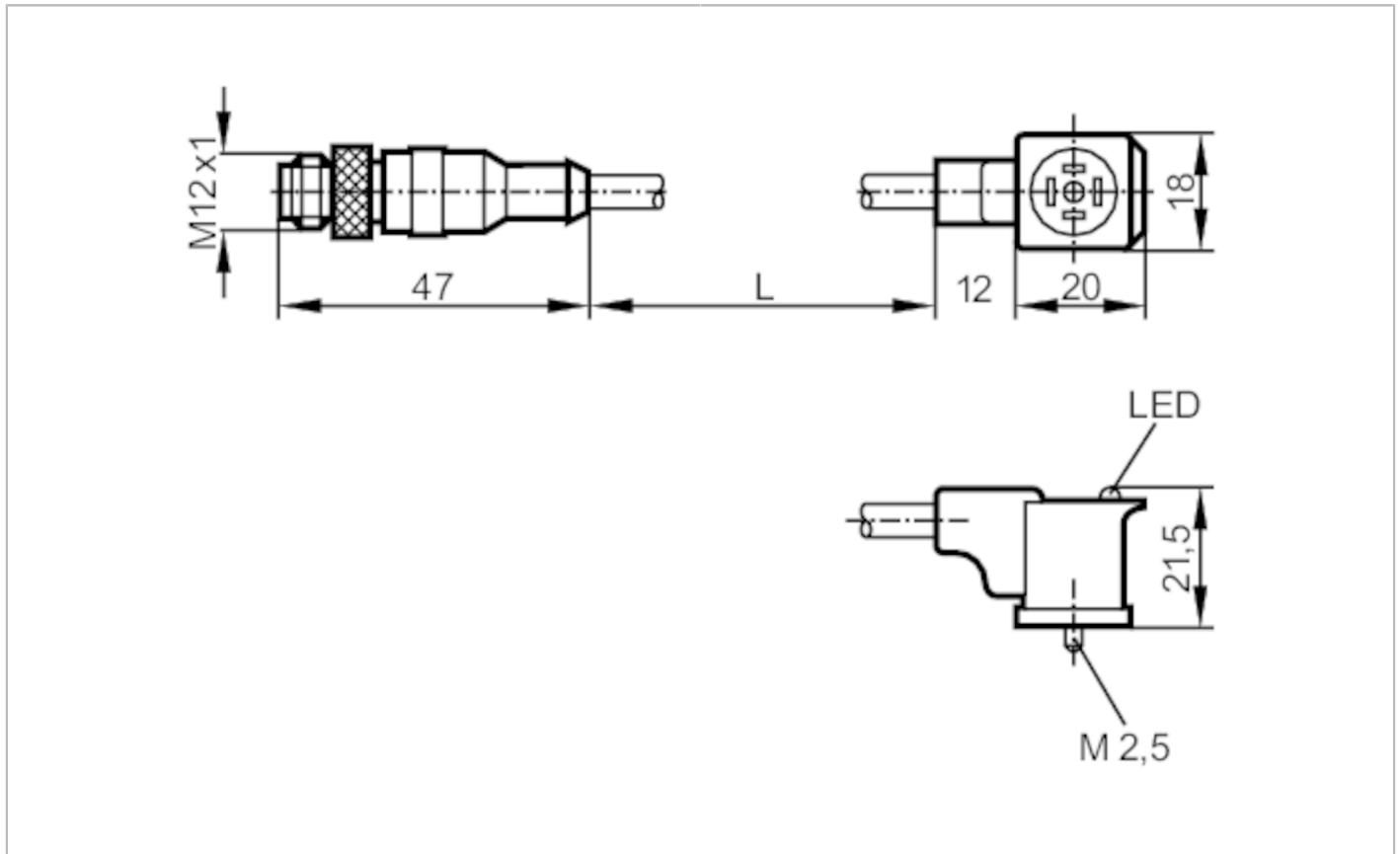


E11430



Jumper cable with valve plug

VVDAC031MSS0005H03STGH030MSS



Application		
Free from silicone		yes
Electrical data		
Operating voltage	[V]	< 24 AC/DC
Overvoltage protection		yes; (VDR)
Max. current load total	[A]	3
Operating conditions		
Ambient temperature	[°C]	-25...80
Protection		IP 65
Mechanical data		
Weight	[g]	252.8
Materials		PUR
Material nut		brass / brass
Displays / operating elements		
Display	operation	1 x LED, yellow
Accessories		
Accessories (supplied)		screw panel for labelling
Remarks		
Pack quantity		1 pcs.

E11430



Jumper cable with valve plug

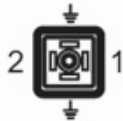
VVDAC031MSS0005H03STGH030MSS

Electrical connection

Cable: 5 m, PUR, Halogen-free, black, Ø 5 mm; 3 x 0.5 mm² (42 x Ø 0.1 mm)

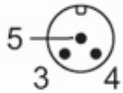
Electrical connection - socket

Connector: 1 x valve type C DIN, angled; Moulded body: PUR; Locking: brass, nickel-plated; Contacts: nickel-plated brass; Tightening torque: 0.7...0.9 Nm



Electrical connection - plug

Connector: 1 x M12, straight; Moulded body: PUR; Locking: brass, nickel-plated; Contacts: gold-plated; Tightening torque: 0.7...0.9 Nm



Connection

