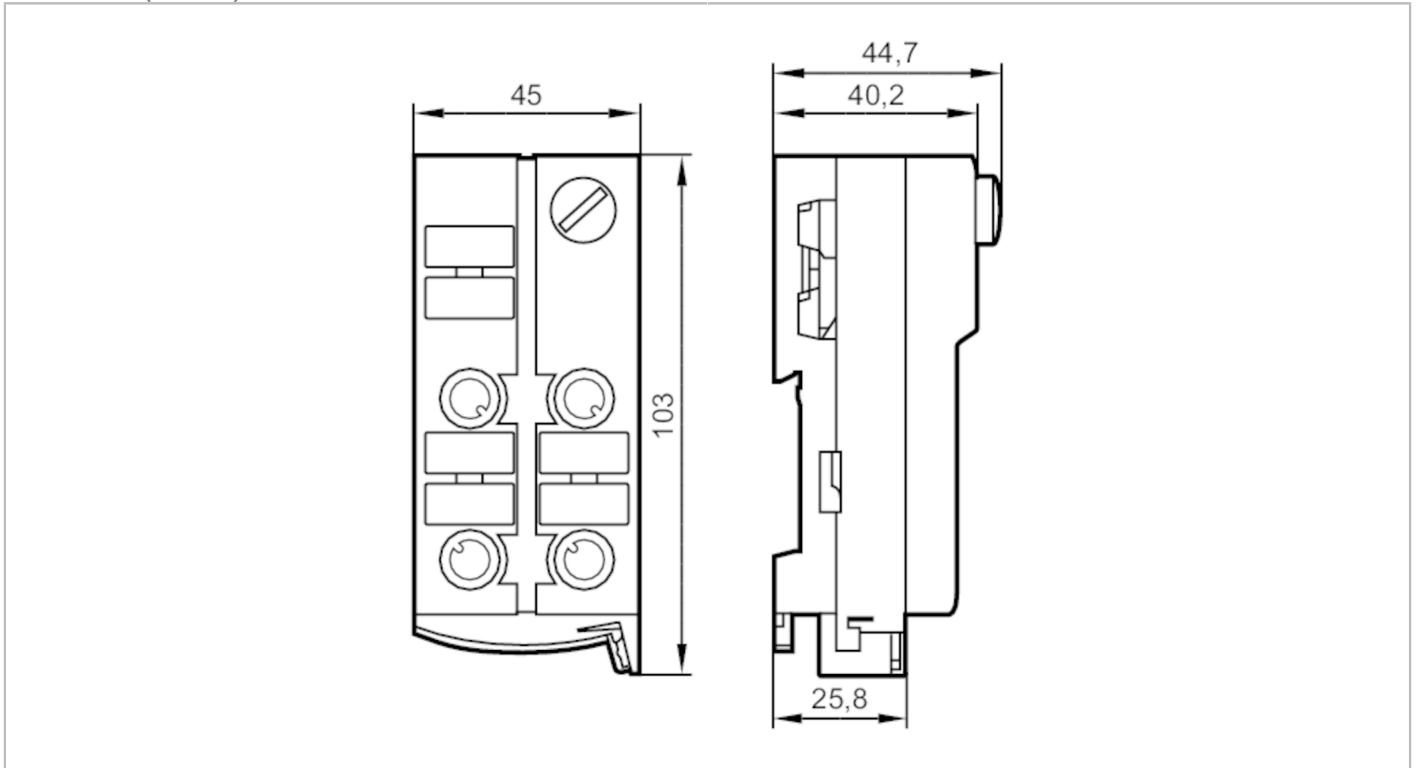




## AS-Interface ClassicLine module with quick mounting technology

ClassicLine 2 x (1 DI/1 DO)



Electrical data	
Operating voltage	[V] 26.5...31.6 DC; ("supply class 2" to cULus)
Max. current consumption from AS-i	[mA] 250
Max. current load total	[A] 0.2
Integrated watchdog	yes
Inputs / outputs	
Number of inputs and outputs	Number of digital inputs: 2; Number of digital outputs: 2
Inputs	
Number of digital inputs	2
Input circuit of digital inputs	PNP
voltage supply	[V] 18...30
Max. total current rating of inputs	[mA] 200; (current load for all inputs and outputs: 200 mA)
Input current High	[mA] 6...10
Input current Low	[mA] 0...2
Min. switching level high signal	[V] 11
Digital inputs protected against short circuits	yes
Sensor supply of the inputs	AS-i



## AS-Interface ClassicLine module with quick mounting technology

ClassicLine 2 x (1 DI/1 DO)

Outputs					
Number of digital outputs	2				
Voltage range DC	18...30				
Max. current load per output [mA]	200; (current load for all inputs and outputs: 200 mA)				
Short-circuit proof	yes				
Electrically separated	no				
Operating conditions					
Ambient temperature [°C]	-25...70				
Protection	IP 67				
Tests / approvals					
EMC	EN 50295				
	IEC 61000-6-2				
AS-i classification					
AS-i version	2.11 + 3.0				
AS-i addressing	addressing socket				
Extended addressing mode possible	yes				
AS-i profile	S-B.A.E				
AS-i I/O configuration [hex]	B				
AS-i ID code [hex]	A.E				
AS-i certificate pending	yes				
Assignment of the data bits	data bit	D0	D1	D2	D3
	input	-	-	I-3	I-4
	socket	-	-	I-3/O-1	I-4/O-2
	pin	-	-	4	4
	Output	O-1 ; O-1	O-2 ; O-2	-	-
	socket	I-3/O-1 ; O-1	I-4/O-2 ; O-2	-	-
	pin	2 ; 4	2 ; 4	-	-
Mechanical data					
Weight [g]	180.2				
Materials	PA; piercing contacts: CuSn6 nickel-plated and tin-plated;				
Displays / operating elements					
Display	operation	LED, green			
	errors	LED, red			
	function	LED, yellow			
Accessories					
Accessories (supplied)	lower part				
Accessories (optional)	Protective cap: M12, E73004				
Remarks					
Pack quantity	1 pcs.				



## AS-Interface ClassicLine module with quick mounting technology

ClassicLine 2 x (1 DI/1 DO)

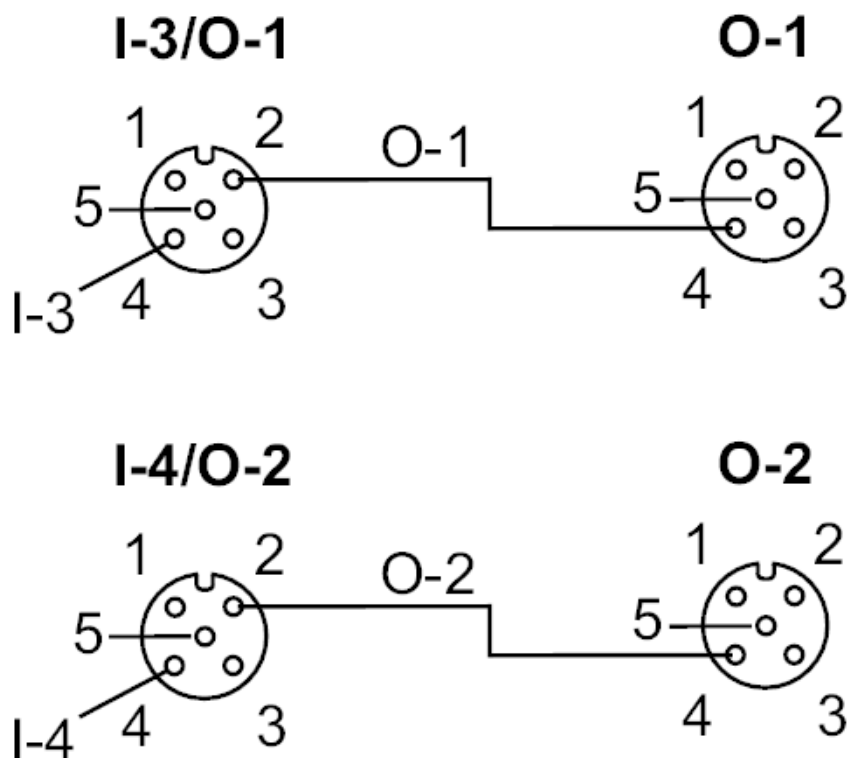
### Electrical connection

quick mounting technology for AS-i flat cable: ; three orientations possible

	Outputs
	socket O-1
1	not used
2	not used
3	Voltage L-
4	switching output 1
5	not used
	socket O-2
1	not used
2	not used
3	Voltage L-
4	switching output 2
5	not used

### Electrical connection - Inputs / outputs

#### Connection



# AC5202



## AS-Interface ClassicLine module with quick mounting technology

ClassicLine 2 x (1 DI/1 DO)

	input / Output
	socket I-3/O-1
1	Sensor supply L+
2	switching output 1
3	Sensor supply L- / Output -
4	data input 3
5	not used
	socket I-4/O-2
1	Sensor supply L+
2	switching output 2
3	Sensor supply L- / Output -
4	data input 4
5	not used

Connector: M12