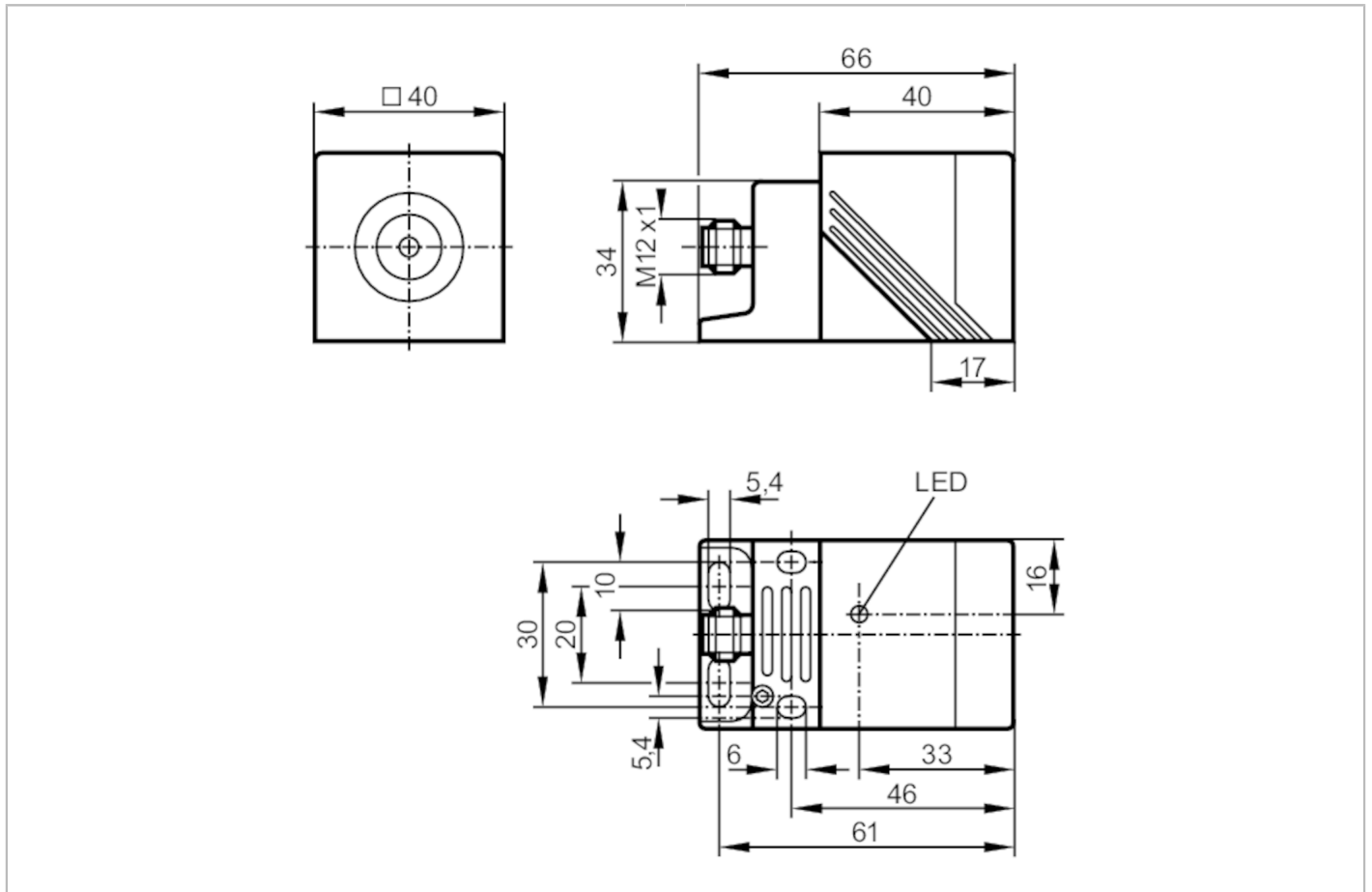


# IM0053



## Inductive sensor

IMC2035-ABOA/SL/LS-100FK



### Electrical data

Operating voltage	[V]	20...250 AC/DC
Protection class		I
Reverse polarity protection		no

# IM0053



## Inductive sensor

IMC2035-ABOA/SL/LS-100FK

Outputs		
Output function		normally open
Max. voltage drop switching output DC [V]		6
Max. voltage drop switching output AC [V]		6.5
Minimum load current [mA]		1.9
Max. leakage current [mA]		2.5 (250 V AC) / 1.3 (130 V AC) / 0.8 (24 V DC)
Permanent current rating of switching output AC [mA]		250; (350 (...50 °C))
Permanent current rating of switching output DC [mA]		100
Short-time current rating of switching output [mA]		2200; (20 ms / 0,5 Hz)
Switching frequency AC [Hz]		20
Switching frequency DC [Hz]		50
Short-circuit proof		no
Overload protection		no
Detection zone		
Sensing range [mm]		35
Operating distance [mm]		0...28.3
Increased sensing range		yes
Accuracy / deviations		
Correction factor		steel: 1 / stainless steel: 0.8 / brass: 0.4 / aluminium: 0.4 / copper: 0.3
Hysteresis [% of Sr]		3...15
Operating conditions		
Ambient temperature [°C]		-25...70
Protection		IP 67
Tests / approvals		
EMC	EN 60947-5-2	
	EN 55011	class B
MTTF [years]		600
Mechanical data		
Weight [g]		162
Housing		rectangular
Mounting		non-flush mountable
Dimensions [mm]		40 x 40 x 66
Materials		PPE; connector housing: brass white bronze coated; clamp: PPS
Displays / operating elements		
Display	switching status	1 x LED, yellow
Electrical connection		
Required protection		miniature fuse to IEC60127-2 sheet 1; ≤ 2 A; fast acting

# IM0053



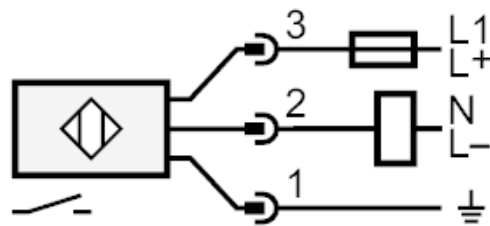
## Inductive sensor

IMC2035-ABOA/SL/LS-100FK

Remarks	
Remarks	Recommendation: Check the safe functioning of the unit after a short circuit. 5 positions of the active zone possible
Pack quantity	1 pcs.

## Electrical connection - plug

Connector: 1 x M12



Note miniature fuse to IEC60127-2 sheet 1  $\leq 2$  A fast acting