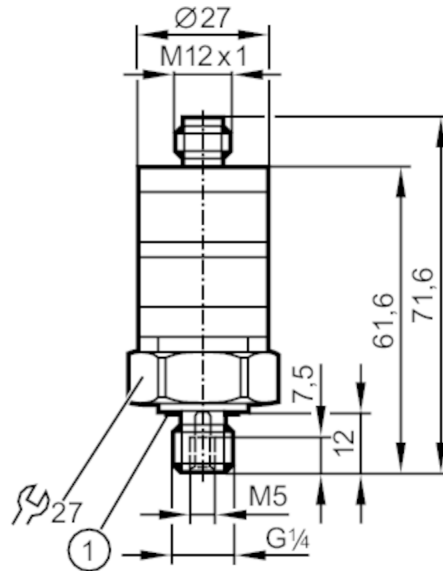


PK6532



Pressure switch with intuitive switch point setting

PK-100-SFG14-HCPKG/US/ IW



1 Sealing



| Application | |
|---------------------------------|------------------------------|
| Media | liquids and gases |
| Medium temperature [°C] | -25...80 |
| Pressure rating | 200 bar / 20 MPa |
| Min. bursting pressure | 1000 bar / 100 MPa |
| Type of pressure | relative pressure |
| Electrical data | |
| Operating voltage [V] | 9.6...32 DC |
| Current consumption [mA] | < 25 |
| Min. insulation resistance [MΩ] | 100; (500 V DC) |
| Protection class | III |
| Reverse polarity protection | yes |
| Inputs / outputs | |
| Number of inputs and outputs | Number of digital outputs: 2 |

PK6532



Pressure switch with intuitive switch point setting

PK-100-SFG14-HCPKG/US/ IW

| Outputs | | |
|---|--|--------------------------|
| Total number of outputs | | 2 |
| Output signal | | switching signal |
| Electrical design | | PNP |
| Number of digital outputs | | 2 |
| Output function | | complementary |
| Max. voltage drop switching output DC | [V] | 2 |
| Permanent current rating of switching output DC | [mA] | 500 |
| Switching frequency DC | [Hz] | 100 |
| Short-circuit protection | | yes |
| Type of short-circuit protection | | pulsed |
| Overload protection | | yes |
| Measuring/setting range | | |
| Measuring range | 0...100 bar | 0...10 MPa |
| Set point SP | 5...100 bar | 0.5...10 MPa |
| Reset point rP | 3...98 bar | 0.3...9.8 MPa |
| Accuracy / deviations | | |
| Switch point accuracy [% of the final value] | < ± 2,5; (Setting accuracy) | |
| Repeatability [% of the final value] | < ± 0,5; (with temperature fluctuations < 10 K) | |
| Characteristics deviation [% of the final value] | < ± 1,5 (BFSL) / < ± 2,5 (LS); (BFSL = Best Fit Straight Line; LS = limit value setting) | |
| Temperature drift per 10 K | < ± 0,5 | |
| Temperature drift per 10 K | < ± 0.5 | |
| Software / programming | | |
| Adjustment of the switch point | setting rings | |
| Operating conditions | | |
| Ambient temperature | [°C] | -25...80 |
| Storage temperature | [°C] | -40...100 |
| Protection | | IP 67 |
| Tests / approvals | | |
| EMC | EN 61000-4-2 ESD | 4 kV CD / 8 kV AD |
| | EN 61000-4-3 HF radiated | 10 V/m |
| | EN 61000-4-4 Burst | 2 kV |
| | EN 61000-4-5 Surge | 1 kV signal for DC units |
| | EN 61000-4-6 HF conducted | 10 V |
| Shock resistance | DIN IEC 68-2-27 | 50 g (11 ms) |
| Vibration resistance | DIN IEC 68-2-6 | 20 g (10...2000 Hz) |
| MTTF | [years] | 713 |

PK6532



Pressure switch with intuitive switch point setting

PK-100-SFG14-HCPKG/US/ IW

| Mechanical data | | |
|-------------------------------|------------------|--|
| Weight | [g] | 93.4 |
| Materials | | PBT; PC; FKM; stainless steel (1.4404 / 316L) |
| Materials (wetted parts) | | stainless steel (1.4404 / 316L); FKM |
| Min. pressure cycles | | 50 million |
| Tightening torque | [Nm] | 25 |
| Process connection | | threaded connection G 1/4 external thread internal thread M5 |
| Displays / operating elements | | |
| Display | operation | LED, green |
| | switching status | LED, yellow |
| With scale | | yes |
| Remarks | | |
| Pack quantity | | 1 pcs. |

Electrical connection

Connector: 1 x M12



Connection

