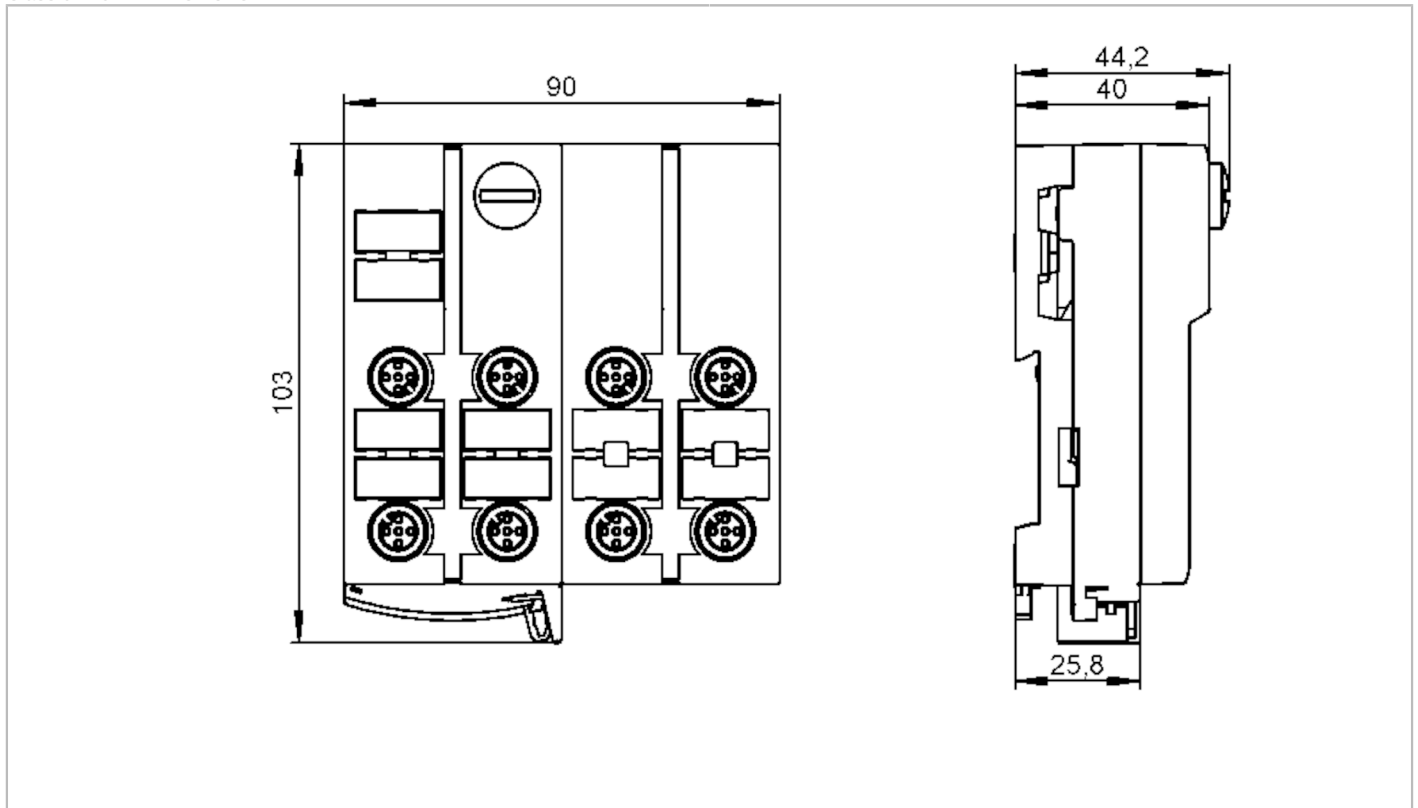


AC5292



AS-Interface ClassicLine module with quick mounting technology

ClassicLine 4DI-Y AUX 3DO-Y



Electrical data	
Operating voltage [V]	26.5...31.6 DC; ("supply class 2" to cULus)
Max. current consumption from AS-i [mA]	30
Max. current load total [A]	3
Integrated watchdog	yes
Inputs	
Number of digital inputs	4
Input circuit of digital inputs	PNP
voltage supply [V]	20...30; (via black flat cable)
Max. total current rating of inputs [mA]	1000
Input current High [mA]	6...10
Input current Low [mA]	0...2
Min. switching level high signal [V]	11
Digital inputs protected against short circuits	yes
Sensor supply of the inputs	to PELV



AS-Interface ClassicLine module with quick mounting technology

ClassicLine 4DI-Y AUX 3DO-Y

Outputs						
Number of digital outputs	3					
Beschaltung	PNP					
Voltage range DC	20...30; (to PELV; via black flat cable)					
Max. current load per output [mA]	1000; (utilisation category DC-13 (control of electromagnets): 20 W (IEC 60947-5-1))					
Short-circuit proof	yes					
Electrically separated	yes					
Operating conditions						
Ambient temperature [°C]	-25...70					
Protection	IP 67					
Tests / approvals						
EMC	EN 50295					
	IEC 61000-6-2					
MTTF [years]	166					
AS-i classification						
AS-i version	2.11 + 3.0					
AS-i addressing	addressing socket					
Extended addressing mode possible	yes					
AS-i profile	S-7.A.E					
AS-i I/O configuration [hex]	7					
AS-i ID code [hex]	A.E					
AS-i certificate pending	yes					
Assignment of the data bits	data bit	D0	D1	D2	D3	
	input	1	2	3	4	
	socket	I-1/2	I-1/2 I-2	I-3/4	I-3/4 I-4	
	pin	4	2 4	4	2 4	
	Output	1	2	3	4	
	socket	O-1/2	O-1/2 O2	O-3	-	
	pin	4	2 4	4	-	
Assignment of the parameter bits	parameter bit	Designation				
	P0	not used				
	P1	peripheral fault indication	: 1	activated	* / 0	deactivated
	P2	not used				
	P3	not used				
Mechanical data						
Weight [g]	284.8					
Type of mounting	AS-i flat cables directly connectable					
Materials	PA; piercing contacts: CuSn6 nickel-plated and tin-plated;					
Displays / operating elements						
Display	operation	LED, green Voltage AUX > 7 V				
	errors	LED, red AUX 15 V ± 2 V				
	function	LED, yellow				



AS-Interface ClassicLine module with quick mounting technology

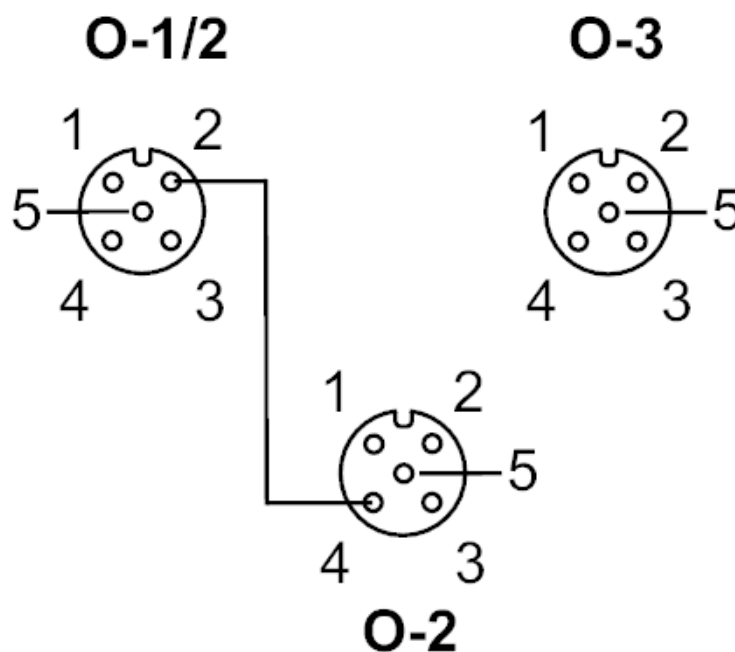
ClassicLine 4DI-Y AUX 3DO-Y

Accessories	
Accessories (supplied)	lower part
Accessories (optional)	Protective cap: M12, E73004
Remarks	
Pack quantity	1 pcs.

Electrical connection
quick mounting technology for AS-i flat cable; ; three orientations possible

Electrical connection - Outputs

Connection



AC5292



AS-Interface ClassicLine module with quick mounting technology

ClassicLine 4DI-Y AUX 3DO-Y

	Outputs
	socket O-1/2
1	not used
2	switching output 2
3	external voltage AUX -
4	switching output 1
5	not used
	socket O-2
1	not used
2	not used
3	external voltage AUX -
4	switching output 2
5	not used
	socket O-3
1	not used
2	not used
3	external voltage AUX -
4	switching output 3
5	not used

Connector: M12

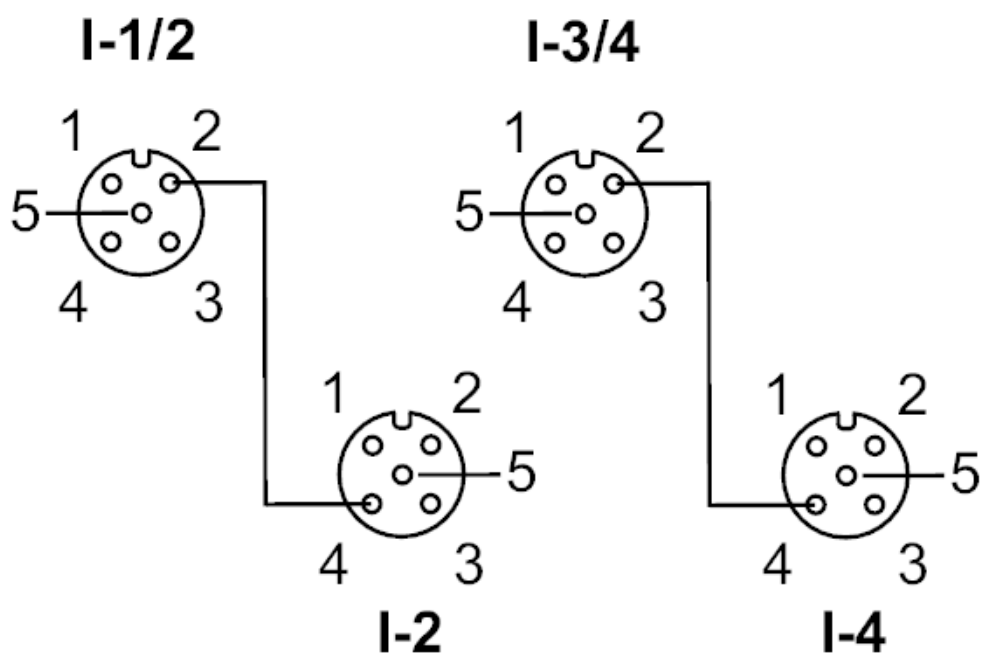


AS-Interface ClassicLine module with quick mounting technology

ClassicLine 4DI-Y AUX 3DO-Y

Electrical connection - Inputs

Connection





AS-Interface ClassicLine module with quick mounting technology

ClassicLine 4DI-Y AUX 3DO-Y

	Inputs
	socket I-1/2
1	Sensor supply L+
2	data input 2
3	Sensor supply L-
4	data input 1
5	not used
	socket I-2
1	Sensor supply L+
2	not used
3	Sensor supply L-
4	data input 2
5	not used
	socket I-3/4
1	voltage supply L+
2	data input 4
3	Sensor supply L-
4	data input 3
5	not used
	socket I-4
1	Sensor supply L+
2	not used
3	Sensor supply L-
4	data input 4
5	not used

Connector: M12