

# E17321

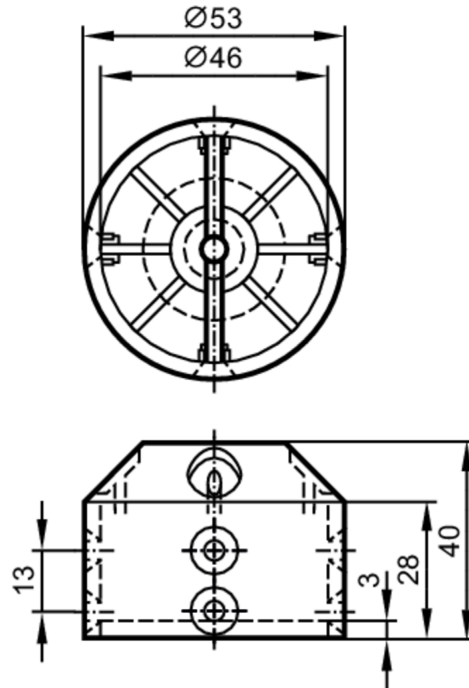


## Target pucks for valve actuators

Puck/IND/bk/53/8

Status Archive

/E12517+ E12526



Application	
Design	for mechanical interfaces to pneumatic actuators or manually-operated valves VDI / VDE 3845, ISO 5211 / DIN 3337
Mechanical data	
Weight [g]	43.4
Target puck diameter [mm]	53
Hole spacing [mm]	80
Shaft height of valve drive [mm]	20
Housing colour	black
Number of possible switching flag positions	8
Materials	target puck: PA 6 black; screws: stainless steel (1.4302)
Accessories	
Accessories (supplied)	socket head screw: 1 x M 6 x 16, with washer
	countersunk screws: 2 x M 5
	direction indications: 2, yellow
	direction indications: 2, black
	Cover: 1, yellow cover plug: 4, black
Remarks	
Notes	discontinued article
Pack quantity	1 pcs.

Status Archive

# E17321

## Target pucks for valve actuators

Puck/IND/bk/53/8



/E12517+ E12526