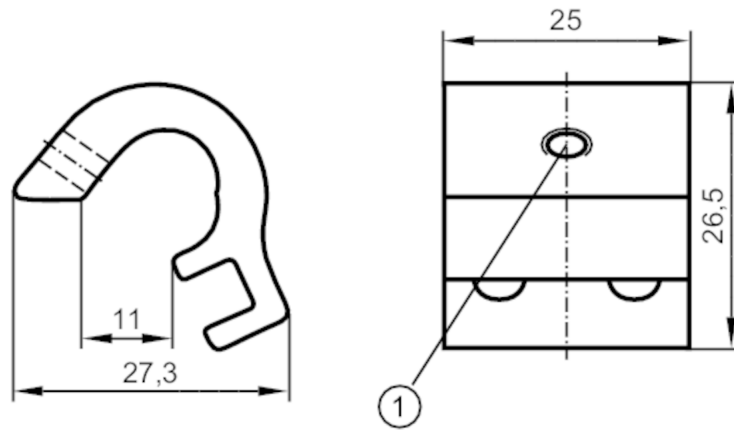


# E12231



## Mounting adapter for tie-rod/integrated profile cylinders

ADAPT TIE ROD/PROFILE



1 Mounting screw SW 2

### Application

Design for types MKT

### Mechanical data

Weight [g] 16.8

Materials aluminium; screw: stainless steel

Clamping range [mm] 5...11

### Remarks

Pack quantity 1 pcs.