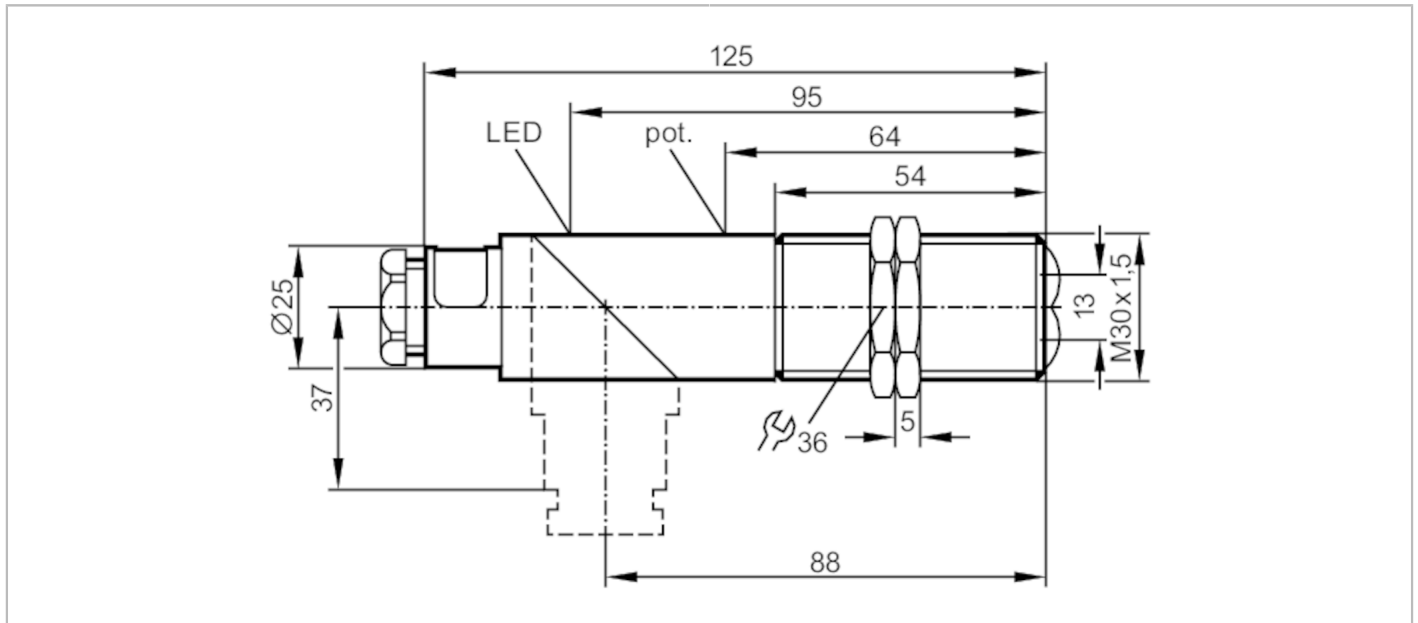


# OI0008



## Diffuse reflection sensor

OIT-FBOW



Application	
Function principle	Diffuse reflection sensor
Electrical data	
Frequency AC [Hz]	47...63
Operating voltage [V]	20...250 AC
Reverse polarity protection	no
Outputs	
Output function	light-on/dark-on mode; (programmable)
Max. voltage drop switching output AC [V]	4
Max. leakage current [mA]	12
Permanent current rating of switching output AC [mA]	300
Short-time current rating of switching output [mA]	2200; (10 ms / 0,5 Hz)
Switching frequency AC [Hz]	15
Short-circuit proof	no
Overload protection	no
Detection zone	
Range [mm]	3...700; (white paper 200 x 200 mm)
Range adjustable	yes
Max. light spot diameter [mm]	122
Light spot dimensions refer to	at maximum range
Operating conditions	
Ambient temperature [°C]	-25...60
Protection	IP 65



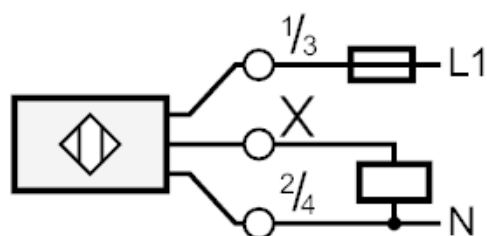
## Diffuse reflection sensor

OIT-FBOW

Tests / approvals		
EMC		EN 60947-5-2
MTTF	[years]	304
Mechanical data		
Weight	[g]	120.2
Housing		threaded type
Dimensions	[mm]	M30 x 1.5 / L = 125
Thread designation		M30 x 1.5
Materials		PBT; PPO modified
Lens material		PMMA
Displays / operating elements		
Display		switching status 1 x LED, yellow
Electrical connection		
Required protection		miniature fuse to IEC60127-2 sheet 1; ≤ 2 A; fast acting
Accessories		
Accessories (supplied)		lock nuts: 2 x screwdrivers
Remarks		
Remarks		Recommendation: Check the safe functioning of the unit after a short circuit.
Pack quantity		1 pcs.

**Electrical connection**  
 terminals: ...1.5 mm<sup>2</sup>; Cable sheath: Ø 7...13 mm; Cable gland: M20 X 1.5

### Connection



Note : miniature fuse to IEC60127-2 sheet 1 ≤ 2 A fast acting



## Diffuse reflection sensor

OIT-FBOW

### Diagrams and graphs

excess gain graph

