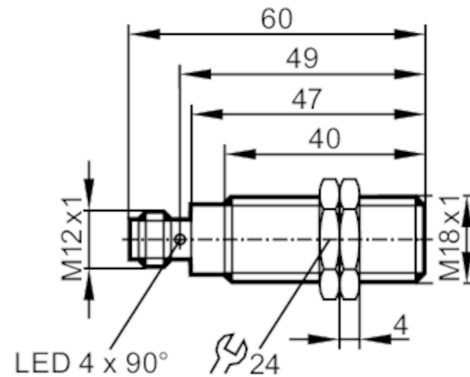


# MGT203



## Full-metal magnetic sensor

MGK3070-BPKG/AM/V4A/G/US



Application		
Pressure rating	[bar]	100
Electrical data		
Operating voltage	[V]	10...30 DC
Current consumption	[mA]	< 10
Protection class		III
Reverse polarity protection		yes
Outputs		
Electrical design		PNP
Output function		normally open
Max. voltage drop switching output DC	[V]	2.5
Permanent current rating of switching output DC	[mA]	100
Switching frequency DC	[Hz]	5000
Short-circuit protection		yes
Overload protection		yes
Detection zone		
Sensing range	[mm]	70; (referred to magnet M 4.0)
Response sensitivity	[mT]	0.9
Accuracy / deviations		
Hysteresis	[% of Sr]	1...10
Operating conditions		
Ambient temperature	[°C]	0...100
Protection		IP 65; IP 68; IP 69K

# MGT203



## Full-metal magnetic sensor

MGK3070-BPKG/AM/V4A/G/US

### Tests / approvals

EMC	EN 61000-4-2 ESD	4 kV CD / 8 kV AD
	EN 61000-4-3 HF radiated	10 V/m
	EN 61000-4-4 Burst	2 kV
	EN 61000-4-5 Surge	0,5 kV line to line, Ri: 2 Ohm
	EN 61000-4-6 HF conducted	10 V
	EN 55011	class B
	DIN ISO 11452-2	100 V/m

### Mechanical data

Weight	[g]	60
Housing		threaded type
Dimensions	[mm]	M18 x 1 / L = 60
Thread designation		M18 x 1
Materials		housing: stainless steel (1.4404 / 316L); sensing face: stainless steel (1.4404 / 316L); lock nuts: stainless steel; plug: PEI
Full-metal housing		yes

### Displays / operating elements

Display	switching status	4 x 90° LED, yellow
---------	------------------	---------------------

### Accessories

Accessories (supplied)	lock nuts: 2
------------------------	--------------

### Remarks

Pack quantity	1 pcs.
---------------	--------

### Electrical connection - plug

Connector: 1 x M12; Contacts: gold-plated



# MGT203



## Full-metal magnetic sensor

MGK3070-BPKG/AM/V4A/G/US

### Connection

