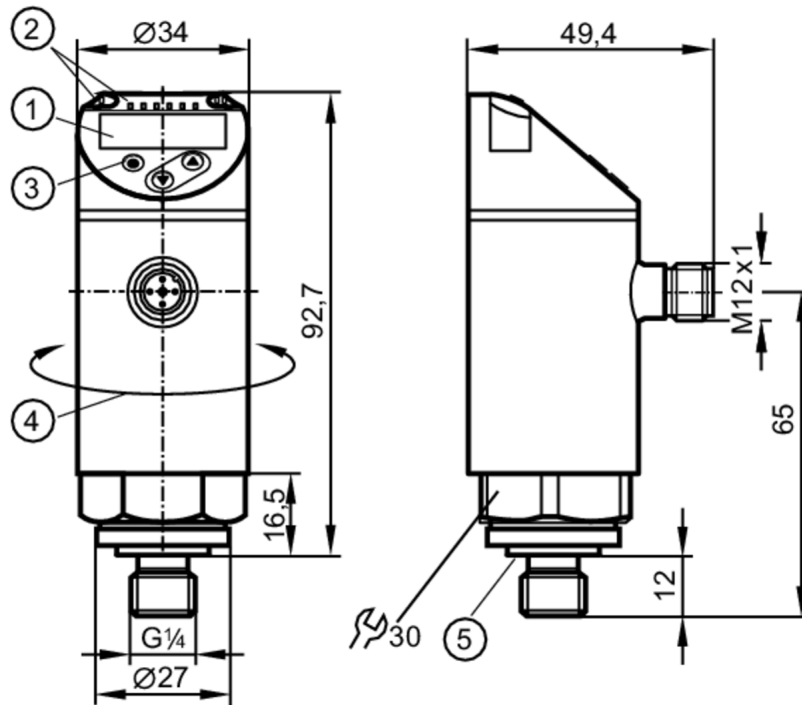


PN7599



Pressure sensor with display

PN-1-1BREG14-QFRKG/US/ IV



- 1 alphanumeric display 4-digit red/green
- 2 LEDs Display unit / switching status
- 3 programming button
- 4 upper part of the housing can be rotated 345°
- 5 Sealing



Application

Measuring element	ceramic-capacitive pressure measuring cell			
Application	for industrial applications			
Media	liquids and gases			
Medium temperature [°C]	-25...80			
Pressure rating	10000 mbar	145 psi	1000 kPa	290 inHg
Min. bursting pressure	30000 mbar	450 psi	3000 kPa	880 inHg
Type of pressure	relative pressure			

Electrical data

Operating voltage [V]	18...30 DC; (according to EN 50178 SELV/PELV)			
Current consumption [mA]	< 35			
Min. insulation resistance [MΩ]	100; (500 V DC)			
Protection class	III			
Reverse polarity protection	yes			
Power-on delay time [s]	< 0.3			
Integrated watchdog	yes			

Inputs / outputs

Number of inputs and outputs	Number of digital outputs: 2
------------------------------	------------------------------

PN7599



Pressure sensor with display

PN-1-1BREG14-QFRKG/US/ IV

Outputs				
Total number of outputs	2			
Output signal	switching signal; IO-Link; (configurable)			
Electrical design	PNP/NPN			
Number of digital outputs	2			
Output function	normally open / normally closed; (parameterisable)			
Max. voltage drop switching output DC [V]	2.5			
Permanent current rating of switching output DC [mA]	150; (200 (...60 °C) 250 (...40 °C))			
Switching frequency DC [Hz]	< 170			
Short-circuit protection	yes			
Type of short-circuit protection	pulsed			
Overload protection	yes			
Measuring/setting range				
Measuring range	-1000...1000 mbar	-14.5...14.5 psi	-100...100 kPa	-29.4...29.4 inHg
Set point SP	-980...1000 mbar	-14.3...14.5 psi	-98...100 kPa	-29...29.6 inHg
Reset point rP	-990...990 mbar	-14.4...14.4 psi	-99...99 kPa	-29.2...29.4 inHg
In steps of	10 mbar	0.1 psi	1 kPa	0.2 inHg
Accuracy / deviations				
Switch point accuracy [% of the span]	< ± 0,5			
Repeatability [% of the span]	< ± 0,1; (with temperature fluctuations < 10 K)			
Characteristics deviation [% of the span]	< ± 0,25 (BFSL) / < ± 0,5 (LS); (BFSL = Best Fit Straight Line; LS = limit value setting)			
Hysteresis deviation [% of the span]	< ± 0,25			
Long-term stability [% of the span]	< ± 0,05; (per 6 months)			
Temperature coefficient zero point [% of the span / 10 K]	0,2; (-25...80 °C)			
Temperature coefficient span [% of the span / 10 K]	0,2; (-25...80 °C)			
Response times				
Response time [ms]	< 3			
Delay time programmable dS, dr [s]	0...50			
Software / programming				
Parameter setting options	hysteresis / window; normally open / normally closed; switching logic; switch-on/switch-off delay; Damping; Display unit			

PN7599



Pressure sensor with display

PN-1-1BREG14-QFRKG/US/ IV

Interfaces		
Communication interface	IO-Link	
Transmission type	COM2 (38,4 kBaud)	
IO-Link revision	1.1	
SDCI standard	IEC 61131-9	
IO-Link device ID	406 d / 00 01 96 h	
Profiles	Smart Sensor: Process Data Variable; Device Identification, Device Diagnosis	
SIO mode	yes	
Required master port type	A	
Process data analogue	1	
Process data binary	2	
Min. process cycle time [ms]	2.3	
Operating conditions		
Ambient temperature [°C]	-25...80	
Storage temperature [°C]	-40...100	
Protection	IP 65; IP 67	
Tests / approvals		
EMC	DIN EN 61000-6-2	
	DIN EN 61000-6-3	
Shock resistance	DIN EN 60068-2-27	50 g (11 ms)
Vibration resistance	DIN EN 60068-2-6	20 g (10...2000 Hz)
MTTF [years]	224.01	
UL approval	UL Approval no.	J001
Pressure Equipment Directive	Sound Engineering Practice; can be used for group 2 fluids; group 1 fluids on request	
Mechanical data		
Weight [g]	258	
Materials	stainless steel (1.4404 / 316L); PBT+PC-GF30; PBT-GF20; PC	
Materials (wetted parts)	stainless steel (1.4404 / 316L); ceramics; FKM	
Min. pressure cycles	100 million	
Tightening torque [Nm]	25...35; (recommended tightening torque; depends on lubrication, seal and pressure rating)	
Process connection	threaded connection G 1/4 external thread internal threadM5	
Displays / operating elements		
Display	Display unit	4 x LED, green (bar, psi, kPa, inHg)
	switching status	2 x LED, yellow
	measured values	alphanumeric display, red/green 4-digit
Remarks		
Pack quantity	1 pcs.	
Electrical connection		
Connector: 1 x M12; Contacts: gold-plated		

PN7599

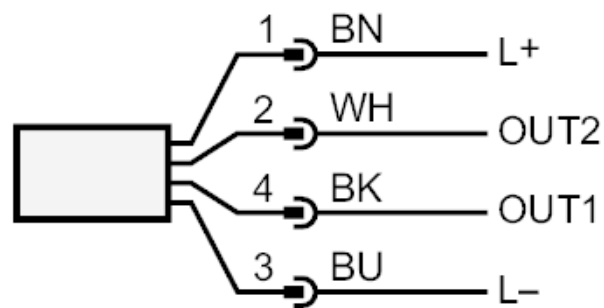


Pressure sensor with display

PN-1-1BREG14-QFRKG/US/ IV



Connection



OUT1 switching output

IO-Link

OUT2 switching output

colours to DIN EN 60947-5-2

Core colours :

BK = black

BN = brown

BU = blue

WH = white