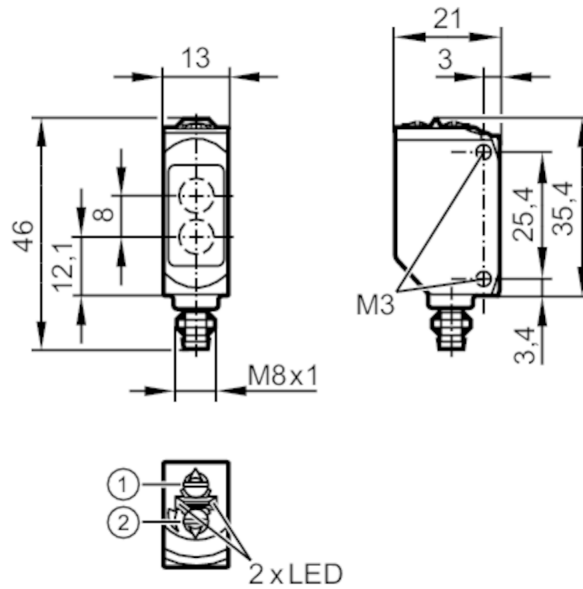


O6T216



Diffuse reflection sensor

O6TIFNKG/AS/4P



- 1 output function switch
- 2 potentiometer sensitivity
- receiver in upper lens
- transmitter in lower lens



Application

Function principle Diffuse reflection sensor

Electrical data

Operating voltage [V]	10...30 DC
Current consumption [mA]	16; ((24 V))
Protection class	III
Reverse polarity protection	yes
Type of light	infrared light
Wave length [nm]	850

Outputs


Electrical design	NPN
Output function	light-on/dark-on mode; (selectable)
Max. voltage drop switching output DC [V]	2.5
Permanent current rating of switching output DC [mA]	100
Switching frequency DC [Hz]	1000
Short-circuit protection	yes
Type of short-circuit protection	pulsed

O6T216



Diffuse reflection sensor

O6TIFNKG/AS/4P

Detection zone		
Range	[mm]	5...600; (white paper 200 x 200 mm 90 % remission)
Range adjustable		yes
Max. light spot diameter	[mm]	24
Light spot dimensions refer to		at maximum range
Monitoring range final value	[mm]	100...600
Operating conditions		
Ambient temperature	[°C]	-25...60
Protection		IP 65; IP 67
Tests / approvals		
EMC		EN 60947-5-2
MTTF	[years]	898
UL approval		UL Approval no. E001
Mechanical data		
Weight	[g]	19.6
Housing		rectangular
Dimensions	[mm]	46 x 13 x 21
Materials		housing: ABS; PPSU; connector thread: brass coated; Sealing: EPDM
Lens material		PMMA
Lens alignment		side lens
Material nut		brass
Tightening torque	[Nm]	0.5
Displays / operating elements		
Display	switching status	1 x LED, yellow
	operation	1 x LED, green
Remarks		
Remarks		operating voltage "supply class 2" according to cULus
Pack quantity		1 pcs.
Electrical connection		
Connector: 1 x M8; Locking: brass, coated		
		

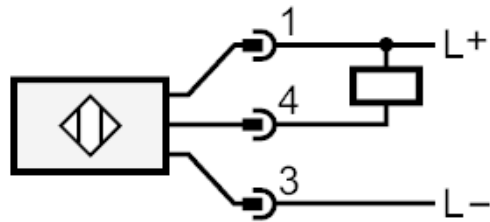
O6T216



Diffuse reflection sensor

O6TIFNKG/AS/4P

Connection



Diagrams and graphs

excess gain graph

