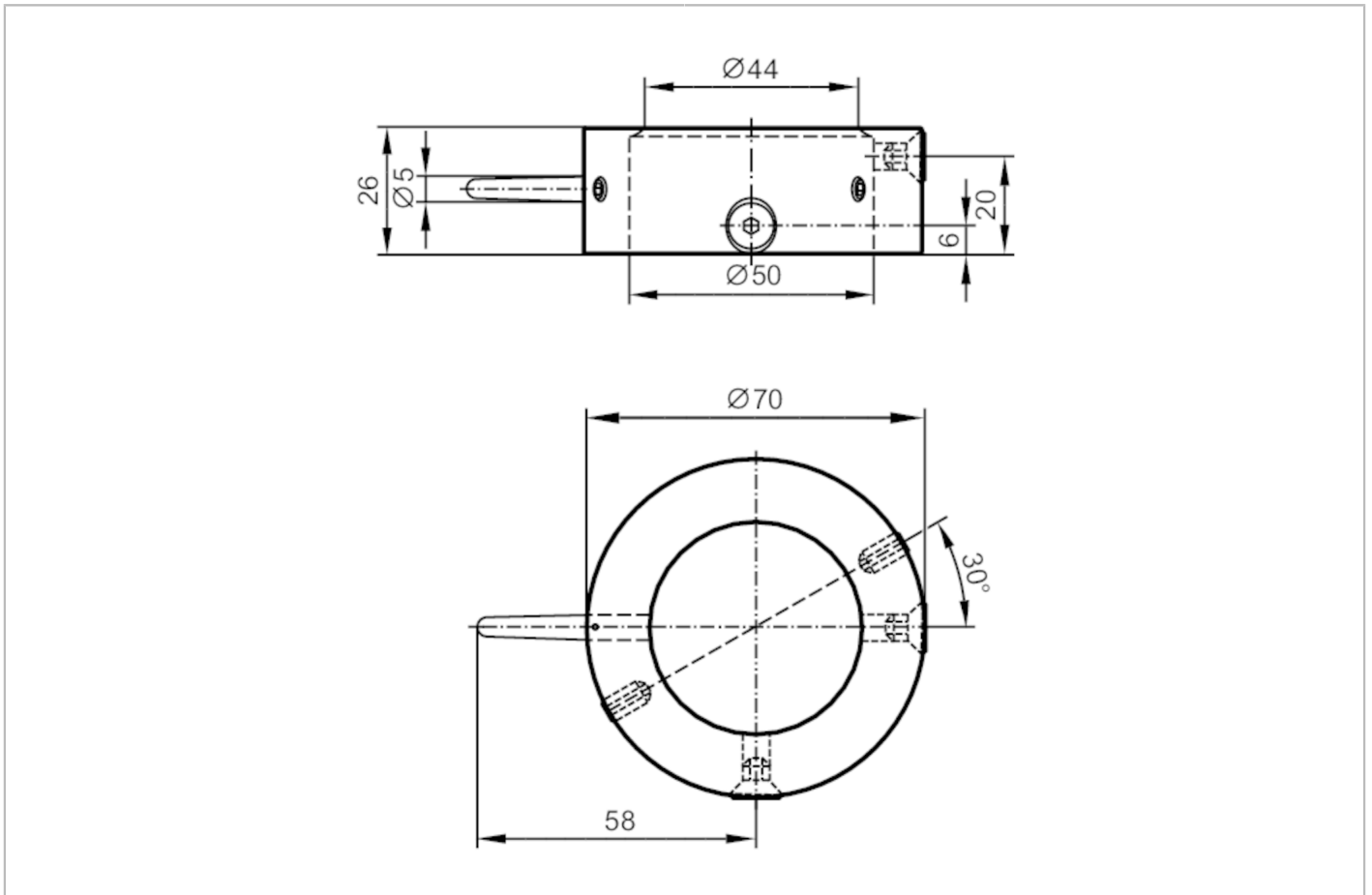


E17012



Target pucks for valve actuators

PUCK D70 +90/-0 / W50



Application	
Design	for butterfly valve
Mechanical data	
Weight [g]	65
Target puck diameter [mm]	70
Materials	target puck: PA 6; pointer: silicone RAL 3020
Tightening torque [Nm]	2; (screws)
Accessories	
Accessories (supplied)	screws
	Gewindestifte: 2 x M5 x 10 A2
	targets
	countersunk screws: 2 x M5 x 8 A2
Remarks	
Pack quantity	1 pcs.