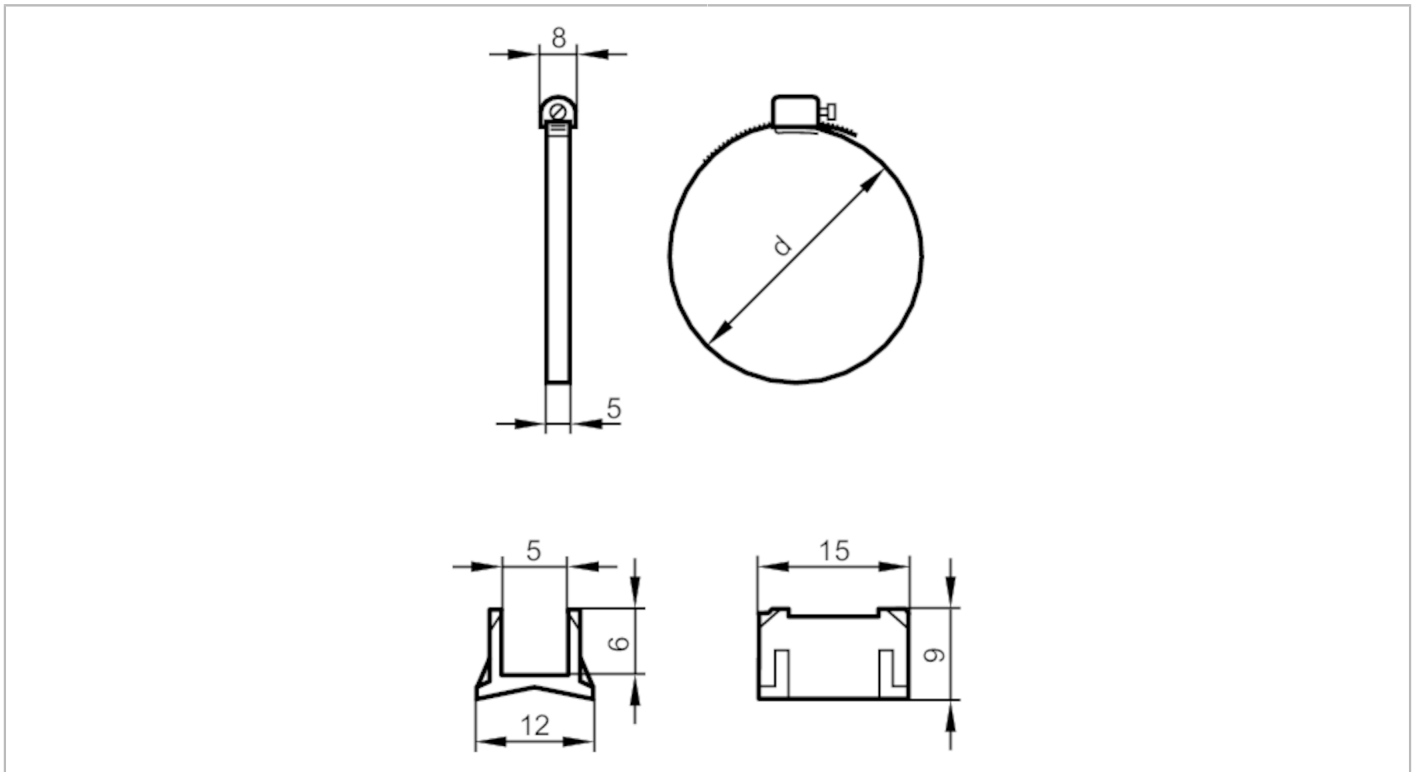


E11819



Fixing strap for clean-line cylinders

FIXING STRAP CLEAN-LINE CYL



Mechanical data

| | | |
|-----------------|------|---|
| Weight | [g] | 7.3 |
| Dimensions | [mm] | Ø 40 |
| Materials | | Adapter: PA; fixing strap: stainless steel (1.4305 / 303) |
| Piston diameter | [mm] | 40 |
| Clamping range | [mm] | 38...49 |

Accessories

| | |
|------------------------|--------------------------|
| Accessories (supplied) | Adapter., for types, MKT |
|------------------------|--------------------------|

Remarks

| | |
|---------------|--------|
| Pack quantity | 1 pcs. |
|---------------|--------|