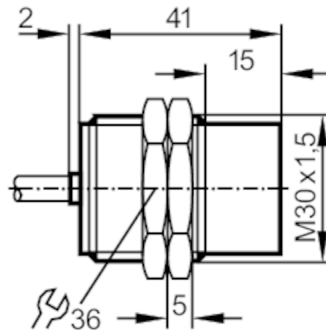




Inductive NAMUR sensor

IIA2015-N/1D/1G/2G



Electrical data	
Connection to switching amplifiers	yes
Switching amplifiers	connection to certified intrinsically safe circuits with the max. values: U = 15 V / I = 50 mA / P = 120 mW
Nominal voltage DC [V]	8.2; (1kΩ)
Supply voltage DC [V]	7.5...30; (when used outside the hazardous area)
Current consumption [mA]	< 1; (disabled; conductive: > 2,1)
Protection class	III
Outputs	
Electrical design	NAMUR
Output function	normally closed
Permanent current rating of switching output DC [mA]	30; (when used outside the hazardous area)
Switching frequency DC [Hz]	200
Detection zone	
Sensing range [mm]	15
Real sensing range Sr [mm]	15 ± 10 %
Accuracy / deviations	
Correction factor	steel: 1 / stainless steel: 0.7 / brass: 0.5 / aluminium: 0.4 / copper: 0.3
Hysteresis [% of Sr]	1...15
Switch point drift [% of Sr]	-10...10
Operating conditions	
Ambient temperature [°C]	-20...80
Protection	IP 67

NI5004



Inductive NAMUR sensor

IIA2015-N/1D/1G/2G

Tests / approvals	
Approval	PTB 01 ATEX 2191; BVS 04 ATEX E153; TIIS TC16109; IECEx BVS 06.0003
ATEX marking	Ex II 1G Ex ia IIB T6 Ga
	Ex II 2G Ex ia IIC T6 Gb
	Ex II 1D Ex ia IIIC T 90°C Da
EMC	EN 60947-5-6
Shock/vibration resistance	30 g (11 ms) / 10-55 Hz (1 mm)
MTTF [years]	4963

Safety classification	
Max. internal capacitance [nF]	145
Max. internal inductance [μ H]	110

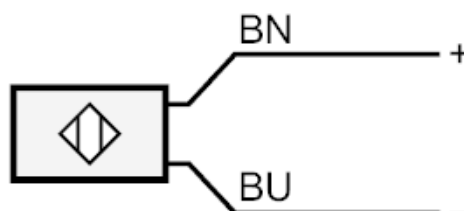
Mechanical data	
Weight [g]	221.2
Housing	threaded type
Mounting	non-flush mountable
Dimensions [mm]	M30 x 1.5 / L = 41
Thread designation	M30 x 1.5
Materials	brass special coating; sensing face: PBT

Accessories	
Accessories (supplied)	lock nuts: 2

Remarks	
Pack quantity	1 pcs.

Electrical connection	
Cable: 2 m, PVC; 2 x 0.5 mm ²	

Connection



Core colours :
BN = brown
BU = blue