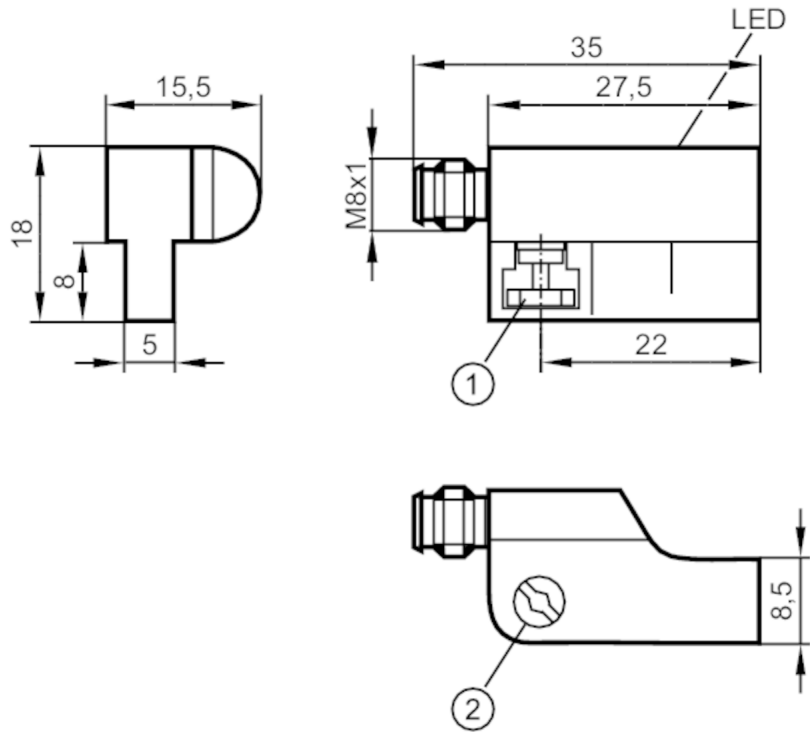


# MR0901



## T-slot cylinder sensor with reed contact

MRI2021-AKOA/RIAS



- 1 Fixing element  
2 combined head screw for fixing element



### Electrical data

|                             |     |  |
|-----------------------------|-----|--|
| Operating voltage           | [V] | 5...50 AC / 5...60 DC; (cULus supply class 2: 5...30 AC / 5...60 DC) |
| Protection class            |     | III  |
| Reverse polarity protection |     | yes  |

### Outputs

|   |      |   |
|---|------|---|
| Electrical design                               |      | PNP/NPN   |
| Output function                                 |      | normally open   |
| Max. voltage drop switching output DC           | [V]  | 5   |
| Max. voltage drop switching output AC           | [V]  | 5   |
| Permanent current rating of switching output AC | [mA] | 100; (External protective circuit for inductive load (valve, contactor, etc.) necessary.) |
| Permanent current rating of switching output DC | [mA] | 100; (External protective circuit for inductive load (valve, contactor, etc.) necessary.) |
| Switching frequency AC                          | [Hz] | 1000  |
| Switching frequency DC                          | [Hz] | 1000  |
| Max. switching power                            | [W]  | 10  |
| Short-circuit protection                        |      | no  |
| Overload protection                             |      | no  |

### Detection zone

|                      |       |     |
|----------------------|-------|-----|
| Response sensitivity | [mT]  | 2.1 |
| Travel speed         | [m/s] | 10  |

# MR0901



## T-slot cylinder sensor with reed contact

MRI2021-AKOA/RIAS

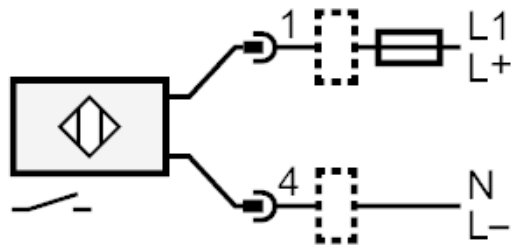
| Accuracy / deviations                  |                           |   |
|--|---------------------------|---|
| Hysteresis                             | [mm]                      | 1   |
| Repeatability                          | [mm]                      | < 0.2   |
| Response times                         |                           |   |
| Max. fall time                         | [ms]                      | 0.1   |
| Max. make time incl. bounce            | [ms]                      | 0.6   |
| Operating conditions                   |                           |   |
| Ambient temperature                    | [°C]                      | -25...70  |
| Protection                             |                           | IP 65; IP 67  |
| Tests / approvals                      |                           |   |
| EMC                                    | EN 61000-4-2 ESD          | - CD / 8 kV AD  |
|  | EN 61000-4-3 HF radiated  | 10 V/m  |
|  | EN 61000-4-4 Burst        | 2 kV  |
|  | EN 61000-4-5 Surge        | 0,5 kV line to line, Ri: 2 Ohm  |
|  | EN 61000-4-6 HF conducted | 10 V  |
|  | EN 55011                  | class B   |
| MTTF                                   | [years]                   | 9434  |
| Mechanical data                        |                           |   |
| Weight                                 | [g]                       | 12.6  |
| Mounting                               |                           | non-flush mountable   |
| Type of mounting                       |                           | fastening clamp with combined slot / hexagon socket, width across flats 1.5   |
| Cylinder type                          |                           | T-slot cylinders  |
| Dimensions                             | [mm]                      | 27.5 x 18 x 15.5  |
| Materials                              |                           | housing: PA; fastening clamp: stainless steel / brass   |
| Switching cycles when connected to PLC | [Mio]                     | < 40  |
| Displays / operating elements          |                           |   |
| Display                                | switching status          | 1 x LED, yellow   |
| Electrical connection                  |                           |   |
| Required protection                    |                           | miniature fuse to IEC60127-2 sheet 1; ≤ 0,175 A; fast acting  |
| Accessories                            |                           |   |
| Accessories (supplied)                 |                           | rubber placeholder: 1   |
| Remarks                                |                           |   |
| Remarks                                |                           | No LED function in case of polarity reversal in DC operation.<br>Recommendation: Check the safe functioning of the unit after a short circuit.<br>operating voltage "supply class 2" according to cULus |
| Pack quantity                          |                           | 1 pcs.  |
| Electrical connection - plug           |                           |   |
| Connector: 1 x M8; Locking: snap-fit   |                           |   |

# MR0901



## T-slot cylinder sensor with reed contact

MR02021-AKOA/RIAS



Note miniature fuse to IEC60127-2 sheet 1  $\leq 0.175$  A fast acting