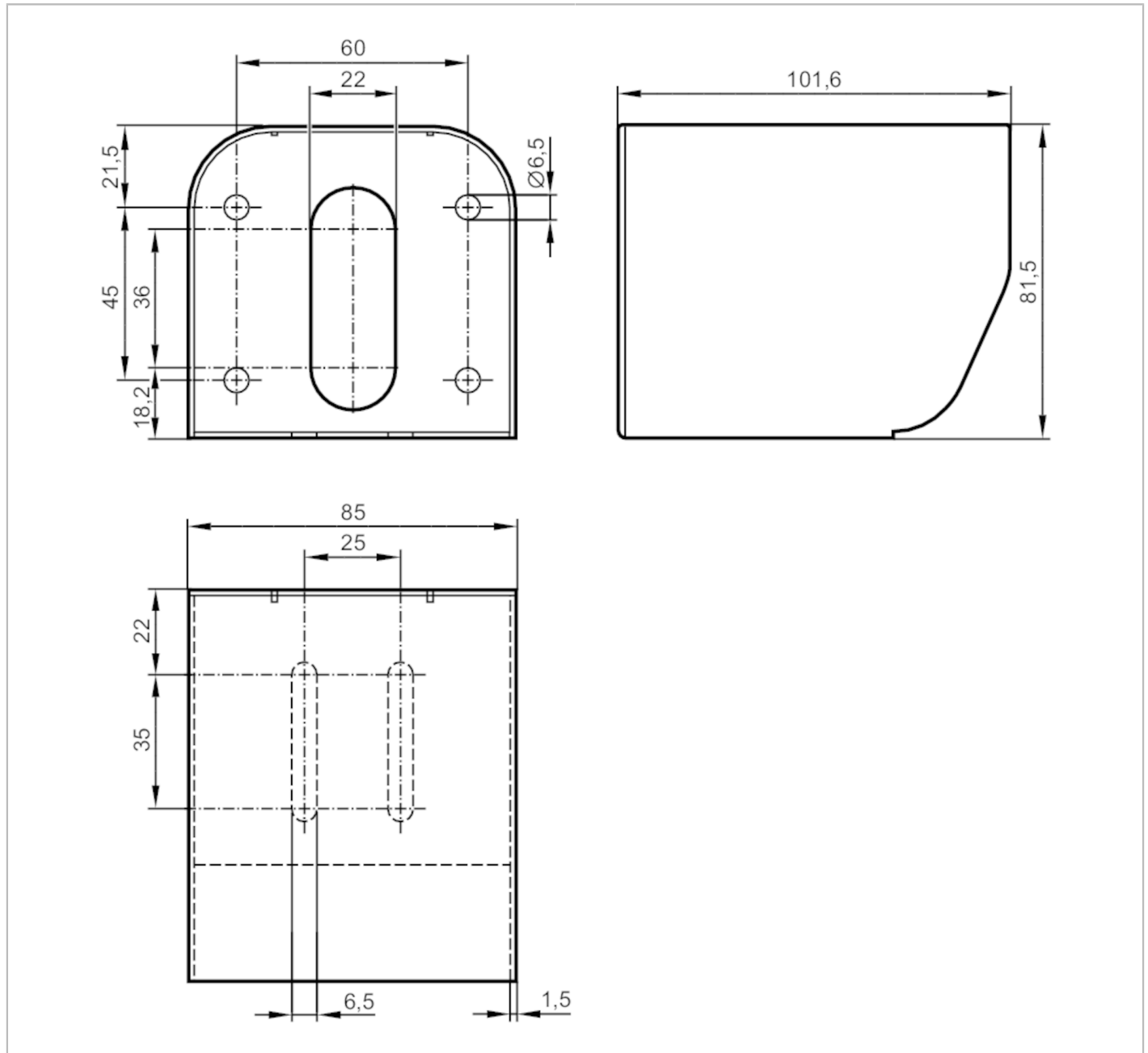


E2M212



Protective housing for analogue cameras

PROTECTIVE COVER CCC



Operating conditions		
Ambient temperature	[°C]	-40...85
Mechanical data		
Weight	[g]	371.4
Dimensions	[mm]	81.5 x 85 x 101.6
Materials		housing: stainless steel (1.4301 / 304)
Remarks		
Pack quantity		1 pcs.