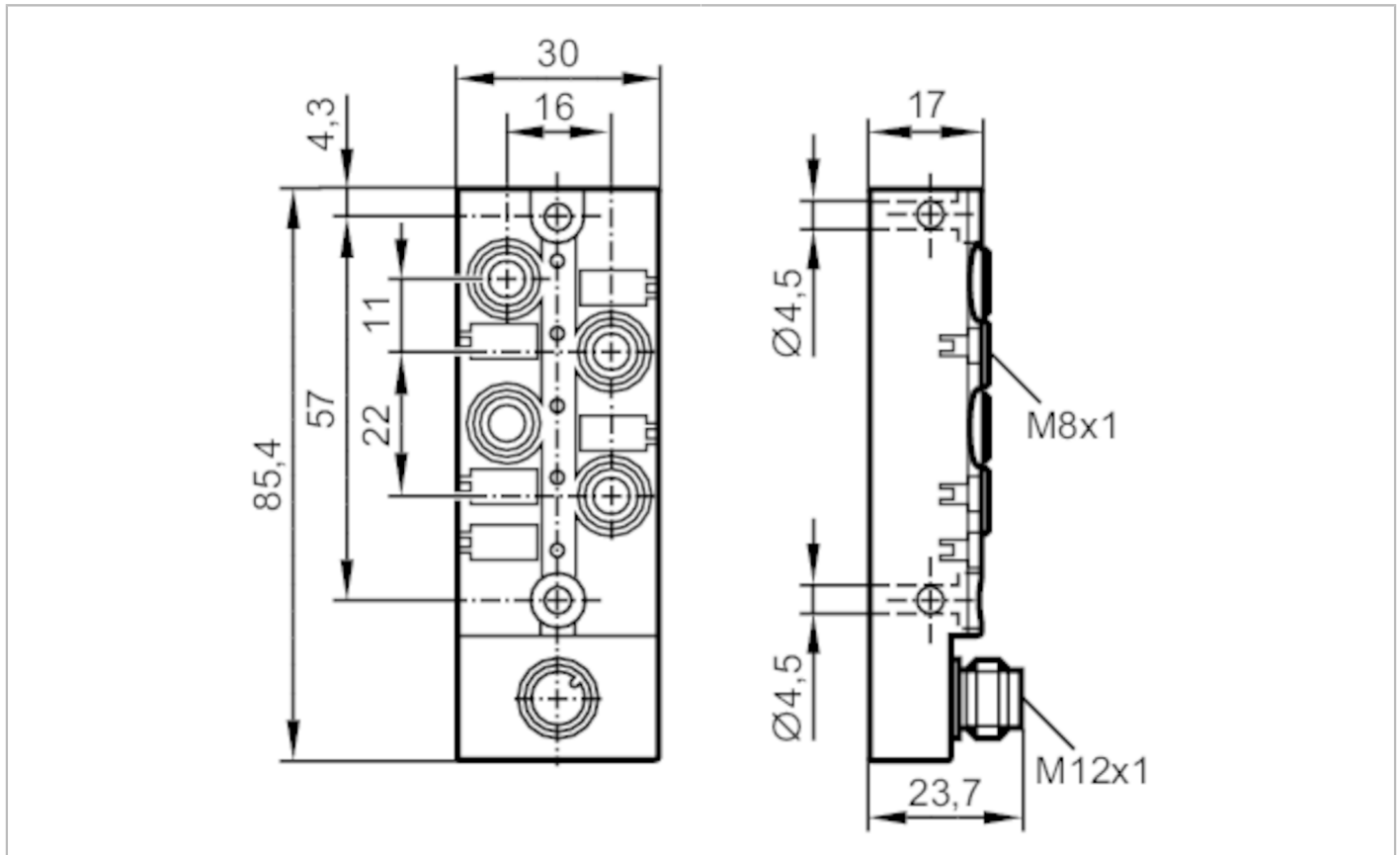


EBC050



Splitter box

ZDO4F035MSS0000---STGH080MSS



Electrical data		
Operating voltage	[V]	10...30 DC; ("supply class 2" to cULus)
Protection class		III
Max. current load per module/slot	[A]	2
Max. current load total	[A]	2
Outputs		
Electrical design		PNP
Operating conditions		
Ambient temperature	[°C]	-25...80
Ambient temperature (moving)	[°C]	-5...60
Protection		IP 67; IP 68; (1 m / 7 days)
Mechanical data		
Weight	[g]	86.8
Dimensions	[mm]	23.7 x 30 x 85.4
Materials		PBT-GF20; brass nickel-plated
Number of ports splitter box		4
Connector type		M8

EBC050



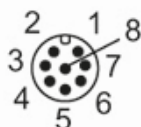
Splitter box

ZDO4F035MSS0000---STGH080MSS

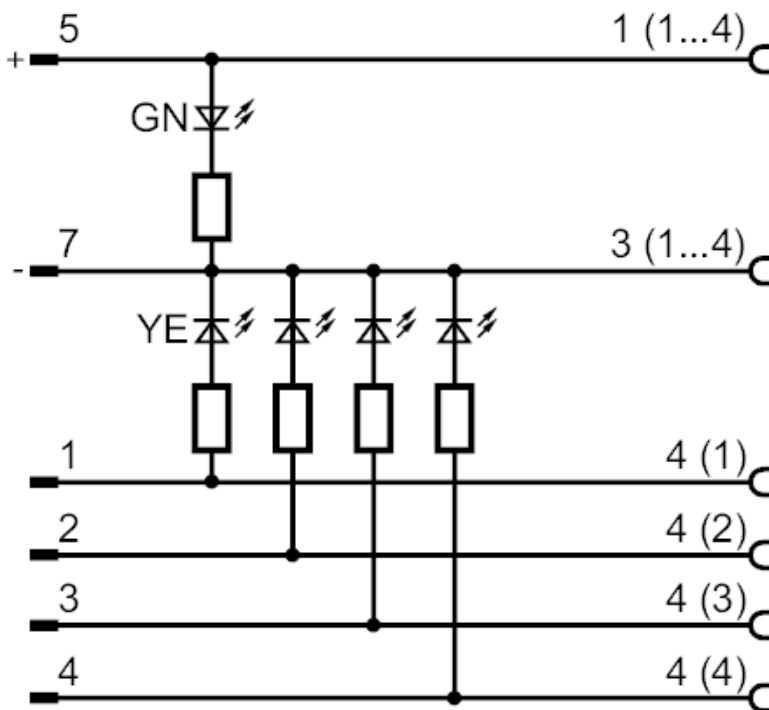
Displays / operating elements		
Display	switching status	4 x LED, yellow
	operation	1 x LED, green
Accessories		
Accessories (optional)	DIN rail adapter., E73006	
	Protective caps, for M8 sockets, E73005	
Remarks		
Pack quantity	1 pcs.	

Electrical connection - Connection

Connector: 1 x M12; Moulded body: PBT-GF 20 / brass, nickel-plated; Contacts: gold-plated



Connection



Electrical connection - slot

Connector: 4 x M8; Moulded body: PBT-GF 20 / brass, nickel-plated; Contacts: gold-plated

EBC050

Splitter box

ZDO4F035MSS0000---STGH080MSS

