

# OIP280

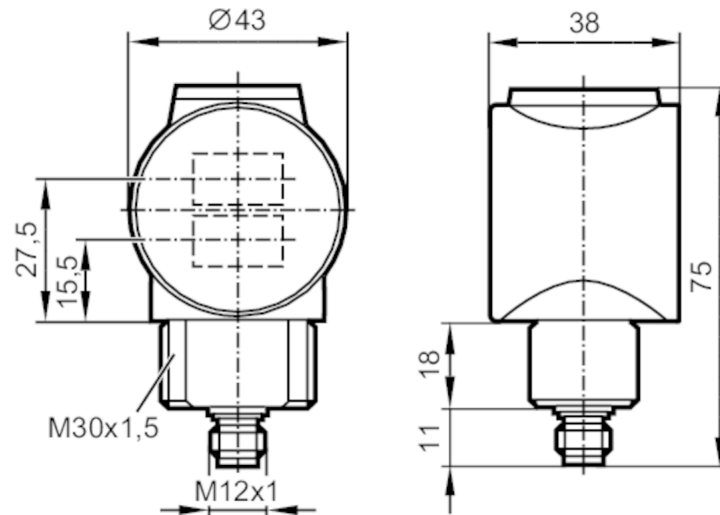


## Retro-reflective sensor

OIP-DPKG/US/15M

Status Archive

/OM5003



transmitter in lower lens  
receiver in upper lens



### Application

Function principle Retro-reflective sensor

### Electrical data

Operating voltage [V]	10...30 DC
Current consumption [mA]	20
Protection class	III
Reverse polarity protection	yes
Type of light	red light
Wave length [nm]	624

### Outputs

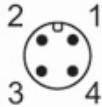
Electrical design	PNP
Output function	dark-on mode
Max. voltage drop switching output DC [V]	2.5
Permanent current rating of switching output DC [mA]	200
Switching frequency DC [Hz]	1000
Short-circuit protection	yes
Type of short-circuit protection	pulsed
Overload protection	yes

# OIP280



## Retro-reflective sensor

OIP-DPKG/US/15M

Detection zone		
Range referred to prismatic reflector [m]	0.1...15; (Prismatic reflector Ø 80 E20005)	
Range adjustable	no	
Max. light spot width [mm]	100	
Max. light spot height [mm]	130	
Light spot dimensions refer to	Range	
Polarisation filter available	yes	
Operating conditions		
Ambient temperature [°C]	-25...60	
Protection	IP 67	
Tests / approvals		
EMC	EN 60947-5-2	
MTTF [years]	1135	
Mechanical data		
Weight [g]	205.8	
Dimensions [mm]	M30 x 1.5	
Thread designation	M30 x 1.5	
Materials	diecast zinc	
Lens material	PMMA	
Displays / operating elements		
Display	switching status	1 x LED, yellow
	operation	1 x LED, green
Accessories		
Accessories (supplied)	lock nut: 1 x	
Remarks		
Remarks	operating voltage "supply class 2" according to cULus	
Notes	discontinued article	
Pack quantity	1 pcs.	
Electrical connection		
Connector: 1 x M12		
		

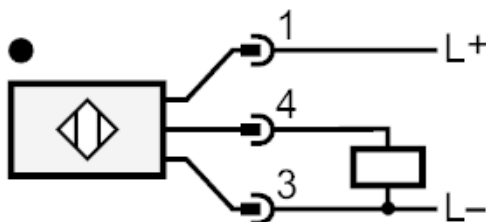
# OIP280



## Retro-reflective sensor

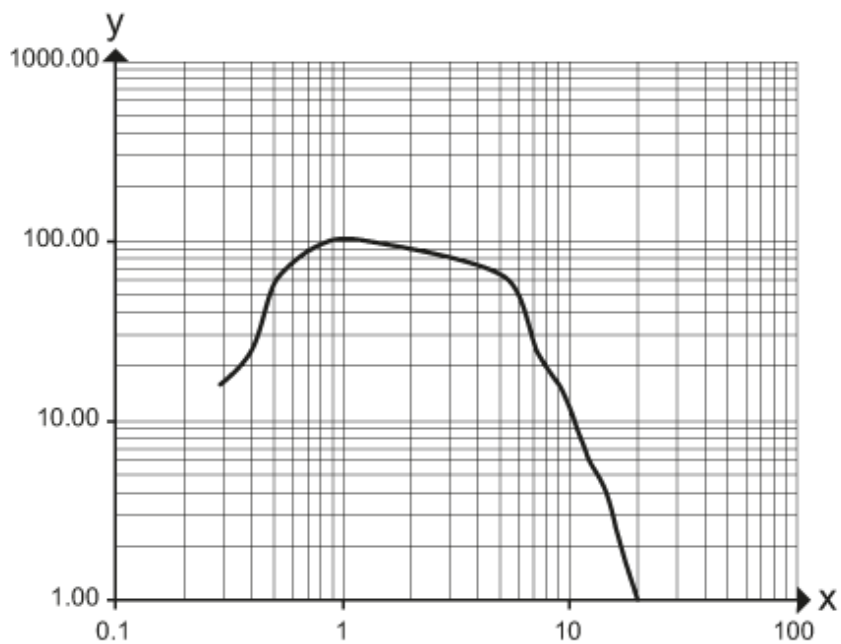
OIP-DPKG/US/15M

### Connection



### Diagrams and graphs

excess gain graph



x: Abstand [m]

y: Funktionsreservfaktor

Status Archive

/OM5003