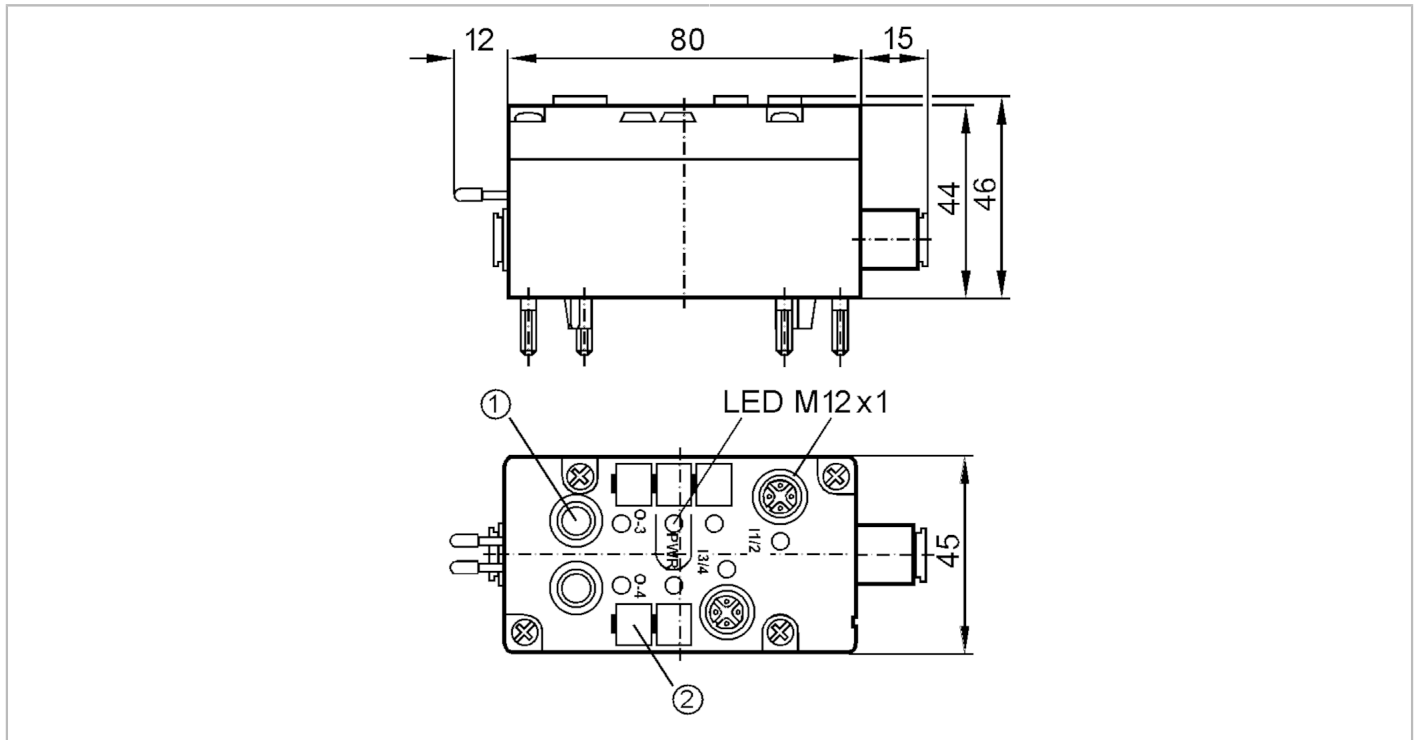


# AC2055



## AS-Interface AirBox

AirBox 2x2DI 2PO M12 V2A



### Electrical data

Operating voltage	[V]	26.5...31.6 DC
Max. current consumption from AS-i	[mA]	170
Integrated watchdog		yes

### Inputs

Number of digital inputs		4; (2 x 2)
Input circuit of digital inputs		PNP
voltage supply	[V]	20...30
Max. total current rating of inputs	[mA]	100
Input current High	[mA]	> 3
Input current Low	[mA]	< 1.5
Min. switching level high signal	[V]	10
Digital inputs protected against short circuits		yes
Sensor supply of the inputs		AS-i

### Outputs

Electrical design		AS-i
Number of pneumatic outputs		2

### Operating conditions

Ambient temperature	[°C]	0...55
Note on ambient temperature		with special compressed air treatment: < 0 °C
Protection		IP 67

# AC2055



## AS-Interface AirBox

AirBox 2x2DI 2PO M12 V2A

Tests / approvals					
EMC	EN 50295				
AS-i classification					
AS-i profile	S-7.F				
AS-i I/O configuration [hex]	7				
AS-i ID code [hex]	F				
AS-i certificate	20101				
Assignment of the data bits	data bit	D0	D1	D2	D3
	socket	I-1/2	I-1/2	I-3/4	I-3/4
	pin	4	2	4	2
Mechanical data					
Weight [g]	262.5				
Type of mounting	AS-i interface to FC lower parts				
Materials	housing: PBT; metal parts: stainless steel (1.4305 / 303); Sealing: FKM				
Pneumatic system	two 3/2-way seat valves				
Operating pressure range [bar]	2...8				
Operating pressure range [MPa]	0.2...0.8				
Note on working pressure range	incl. possible pressure peaks				
Air flow at 6/5 bar [l/min]	350				
Air flow at 6/0 bar [l/min]	550				
Permissible compressed air	filtered (5 µm); lubricated (ISO-VG10) or not lubricated				
Tube fittings	Legris LF 3000/8				
Exhaust	exhaust can be discharged through tube connection				
Displays / operating elements					
Display	operation	LED, green			
	function	LED, yellow			
Accessories					
Accessories (optional)	silencer, E75232				
Remarks					
Remarks	Notes on compressed air and EMC/ESD at <a href="http://www.ifm.com">www.ifm.com</a>				
Pack quantity	1 pcs.				
Electrical connection					
contact pins to module lower part, FK / PG:					
	Inputs				
1	Sensor supply L+				
2	data input I2/I4				
3	Sensor supply L-				
4	data input I1/I3				
Connector: M12					

# AC2055

## AS-Interface AirBox

AirBox 2x2DI 2PO M12 V2A

