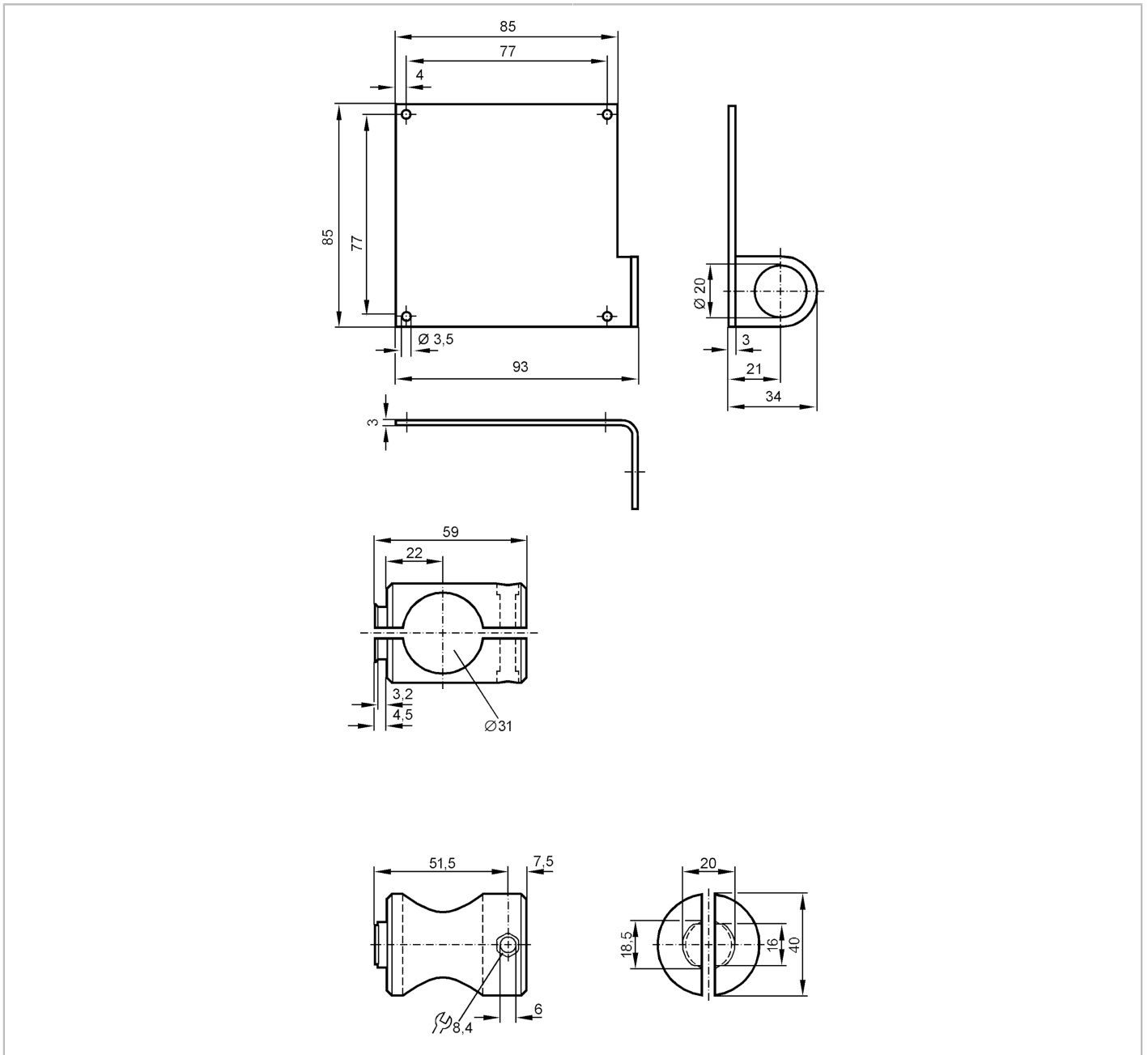


E21007



Mounting set for reflectors

MOUNTING SET REFLECTOR ROD



Application

Design

clamp mounting

Mechanical data

Weight

[g]

317.8

Type of mounting

Mounting rod; (Ø 30 mm)

Materials

fixture: stainless steel (1.4571/316Ti); Clamp: aluminium uncoloured anodised

Remarks

Pack quantity

1 pcs.