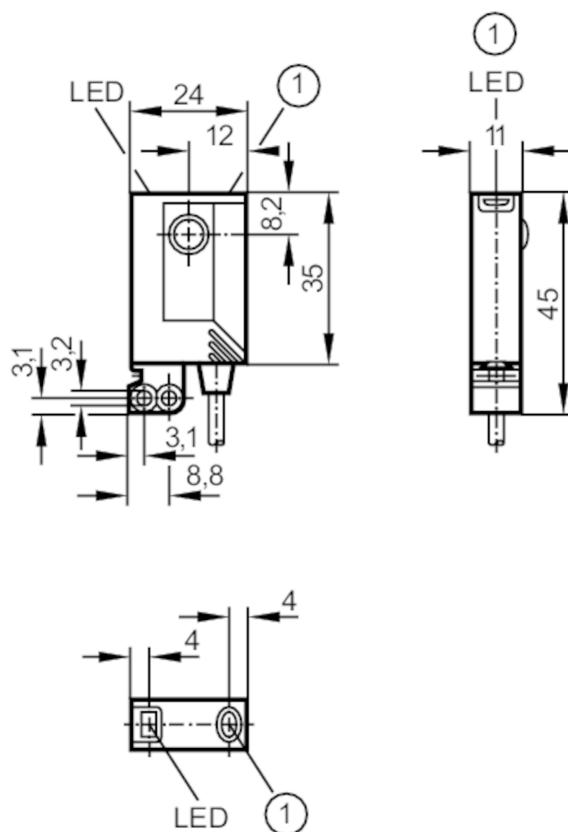


OJ5006



Retro-reflective sensor

OJP-FPKG/FO



1 pushbutton



Application

Function principle	Retro-reflective sensor
--------------------	-------------------------

Electrical data

Operating voltage	[V]	10...30 DC
Current consumption	[mA]	< 22
Protection class		III
Reverse polarity protection		yes
Type of light		red light
Wave length	[nm]	660



Retro-reflective sensor

OJP-FPKG/FO

Outputs		
Electrical design		PNP
Output function		light-on/dark-on mode; (programmable)
Max. voltage drop switching output DC	[V]	2.5
Permanent current rating of switching output DC	[mA]	200
Switching frequency DC	[Hz]	2000
Short-circuit protection		yes
Type of short-circuit protection		pulsed
Overload protection		yes
Detection zone		
Range referred to prismatic reflector	[m]	0...2; (Prismatic reflector Ø 80 E20005)
Range adjustable		yes
Max. light spot diameter	[mm]	64
Light spot dimensions refer to		at maximum range
Polarisation filter available		yes
Operating conditions		
Ambient temperature	[°C]	-25...60
Protection		IP 67
Tests / approvals		
EMC		EN 60947-5-2
MTTF	[years]	867
Mechanical data		
Weight	[g]	73.6
Housing		rectangular
Dimensions	[mm]	35 x 24 x 11
Materials		housing: ABS; fixture: diecast zinc; LED window: SEPS; pushbutton: SEPS
Lens material		glass
Lens alignment		front lens
Displays / operating elements		
Display	switching status	1 x LED, yellow
	operation	1 x LED, green
	function	1 x LED, red
Electronic lock		yes
Accessories		
Accessories (supplied)		Basic clip: 1 x, E20964
		screws: 2 x x M3 x 16
		spring washers: 2 x
		Nuts: 2 x
Remarks		
Remarks		operating voltage "supply class 2" according to cULus
Pack quantity		1 pcs.

OJ5006



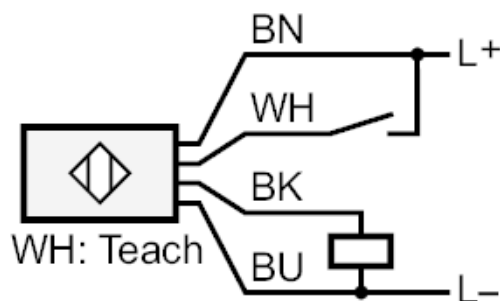
Retro-reflective sensor

OJP-FPKG/FO

Electrical connection

Cable: 2 m, PVC; 4 x 0.14 mm²

Connection



Core colours :

BK =	black
BN =	brown
BU =	blue
WH =	white

OJ5006



Retro-reflective sensor

OJP-FPKG/FO

Diagrams and graphs

excess gain graph

