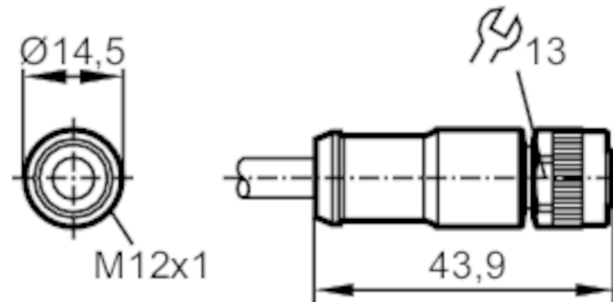


E20838



Connecting cable with socket

ADOGH080MSS0005B08



Electrical data

Operating voltage [M] < 60 AC/DC

Operating conditions

Ambient temperature [°C] -25...85

Protection IP 67

Mechanical data

Weight [g] 269.8

Dimensions [mm] 14.5 x 14.5 x 43.9

Materials TPU

Material nut diecast zinc

Remarks

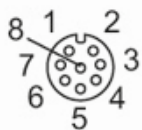
Pack quantity 1 pcs.

Electrical connection

Cable: 5 m, PUR, black, shielded; 7 x 0.25 mm² (14 x Ø 0.15 mm)

Electrical connection - socket

Connector: 1 x M12, straight; Moulded body: TPU; Locking: diecast zinc, nickel-plated



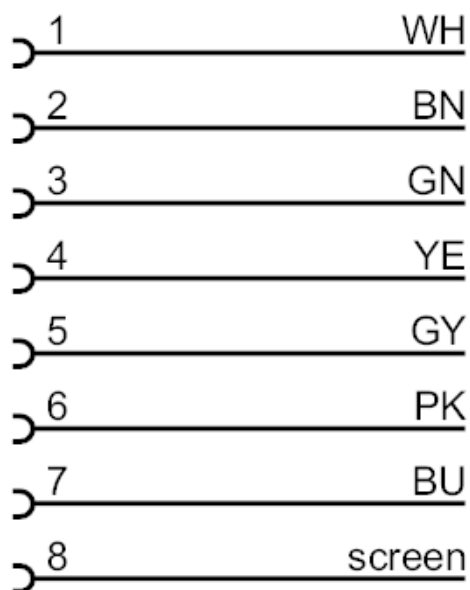
E20838



Connecting cable with socket

ADOGH080MSS0005B08

Connection



colours to DIN

47100

Core colours :

BN = brown

BU = blue

GN = green

GY = grey

PK = pink

WH = white

YE = yellow

screen = screen