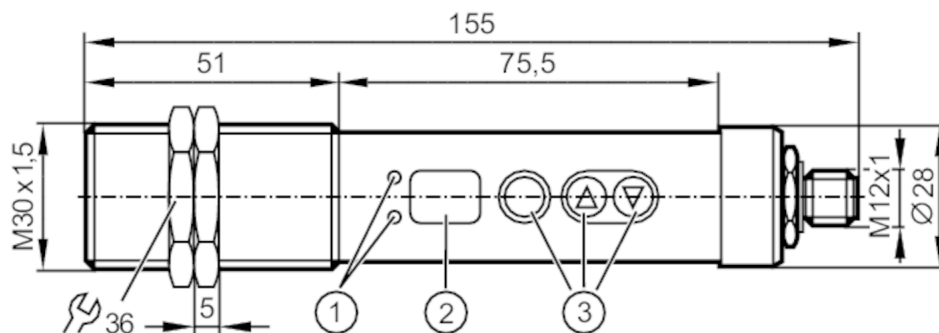


TW7000



Infrared temperature sensor

TW-023CMDM30-QFPKG/US



- 1 LEDs switching status
- 2 7-segment LED display 2-digit
- 3 programming buttons



Application

Application

asphalt; coated metal; liquids; glass; rubber; wood;
ceramics; plastics; lacquers; food products; paper; fabric

Electrical data

Operating voltage	[V]	10...34 DC
Current consumption	[mA]	30; (24 V)
Protection class		III

Inputs / outputs

Number of inputs and outputs	Number of digital outputs: 2
------------------------------	------------------------------

Inputs

Test input	Testfunktion_aktiv_bei_U_test_9_V
------------	-----------------------------------

Outputs

Total number of outputs	2
Output signal	switching signal
Electrical design	PNP
Number of digital outputs	2
Output function	normally open / normally closed; (parameterisable)
Max. voltage drop switching output DC	[V] 2.5
Permanent current rating of switching output DC	[mA] 150
Short-circuit protection	yes
Type of short-circuit protection	pulsed
Overload protection	yes

Detection zone

Wave length range	[µm] 8...14
-------------------	-------------

TW7000



Infrared temperature sensor

TW-023CMDM30-QFPKG/US

Measuring/setting range		
Measuring range	50...500 °C	122...932 °F
Factory setting	SP1 = 25 %; rP1 = 23 %; SP2 = 75 %; rP2 = 73 %	
Set point SP	50...495.5 °C	122...923.9 °F
Reset point rP	50...495.5 °C	122...923.9 °F
In steps of	4.5 °C	8.1 °F
Resolution		
Resolution of switching output	[K]	4.5
Resolution of display	[K]	4.5
Accuracy / deviations		
Accuracy	[K]	< ± 1 %; (of VMR (degree of emission = 1 and T = 23 °C))
Response times		
Response time	[ms]	100
Software / programming		
Adjustment of the switch point	programming buttons	
Parameter setting options	Hysteresis; normally open / normally closed; switch-on/switch-off delay	
Operating conditions		
Ambient temperature	[°C]	0...65
Storage temperature	[°C]	-20...80
Max. relative air humidity	[%]	95; (non condensing)
Protection	IP 65	
Tests / approvals		
EMC	DIN EN 61000-4-2 ESD	4 kV CD / 8 kV AD
	DIN EN 61000-4-3 HF radiated	10 V/m
	DIN EN 61000-4-4 Burst	2 kV coupling clamp
	DIN EN 61000-4-5 Surge	0,5 / 1 kV
	DIN EN 61000-4-6 HF conducted	10 V
	EN 55011 emission	class B
Shock resistance	DIN EN 60068-2-27	30 g (11 ms)
Vibration resistance	DIN EN 60068-2-6	5 g (10...2000 Hz)
MTTF	[years]	150
Mechanical data		
Weight	[g]	335
Housing	threaded type	
Dimensions	[mm]	M30 x 1.5 / L = 155
Thread designation	M30 x 1.5	
Materials	threaded sleeve: stainless steel (1.4305 / 303); polyester	
Lens material	Infrared transparent crystal lens with anti-reflex coating	
Displays / operating elements		
Display	switching status	2 x LED, yellow
	function display	7-segment LED display, 2-digit
	measured values	7-segment LED display, 2-digit
Operating elements	3	pushbuttons

TW7000



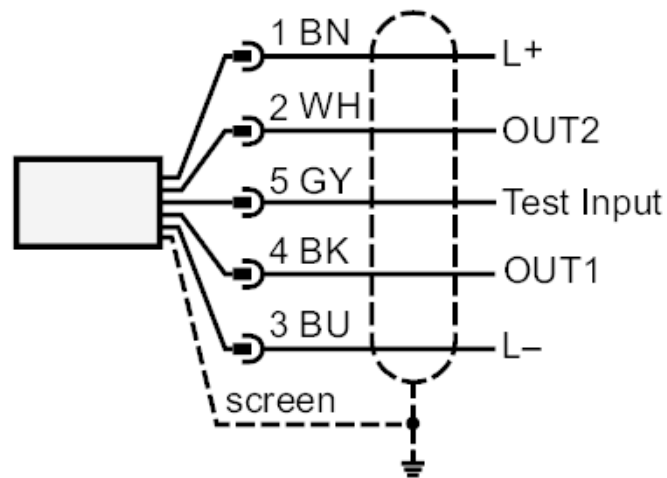
Infrared temperature sensor

TW-023CMDM30-QFPKG/US

Accessories	
Accessories (supplied)	lock nuts: 2
Remarks	
Remarks	MW = measured value MEW = Final value of the measuring range
Pack quantity	1 pcs.

Electrical connection

Connection



Core colours :

BK =	black
BN =	brown
BU =	blue
GY =	grey
WH =	white

Connector: 1 x M12

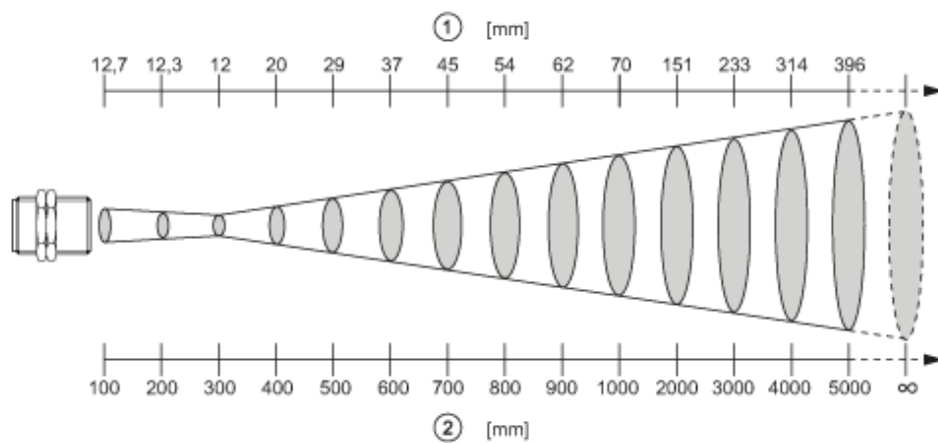
TW7000



Infrared temperature sensor

TW-023CMDM30-QFPKG/US

Diagrams and graphs



- 1 diameter of the measured spot
- 2 measuring distance