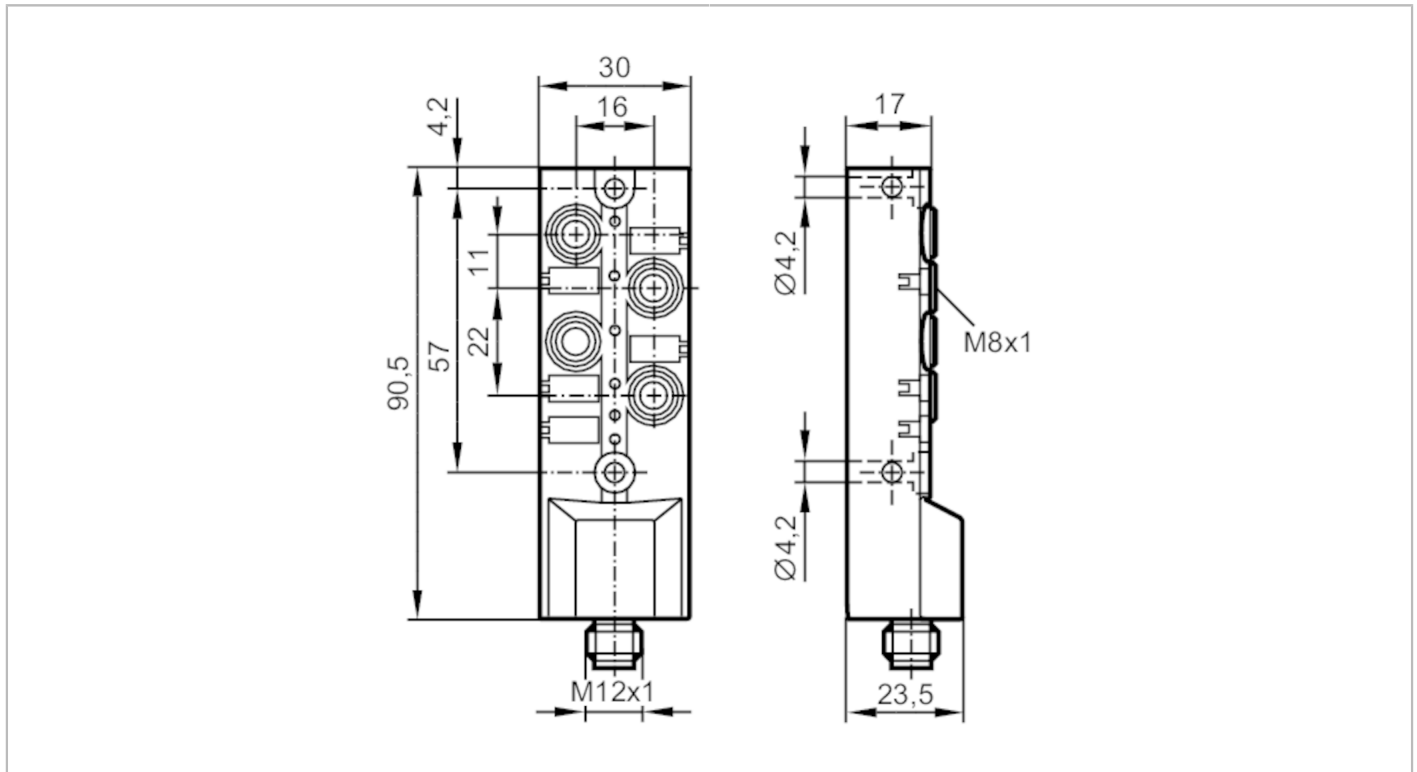


AC2482



AS-Interface CompactLine module

CompactM8 2DI 2DO



Electrical data	
Operating voltage [V]	26.5...31.6 DC; ("supply class 2" to cULus)
Max. current consumption from AS-i [mA]	230
Max. current load total [A]	0.18
Integrated watchdog	yes
Inputs / outputs	
Number of inputs and outputs	Number of digital inputs: 2; Number of digital outputs: 2
Inputs	
Number of digital inputs	2
Input circuit of digital inputs	PNP
voltage supply [V]	18...30
Max. total current rating of inputs [mA]	180; (current load for all inputs and outputs: 180 mA)
Min. switching level high signal [V]	11
Digital inputs protected against short circuits	yes
Sensor supply of the inputs	AS-i



AS-Interface CompactLine module

CompactM8 2DI 2DO

Outputs						
Number of digital outputs	2					
Voltage range DC	18...30					
Max. current load per output [mA]	180; (current load for all inputs and outputs: 180 mA)					
Short-circuit proof	yes					
Electrically separated	no					
Operating conditions						
Ambient temperature [°C]	-25...60					
Protection	IP 65; IP 67; IP 68; ("enclosure type 1" according to cULus)					
Tests / approvals						
EMC	EN 50295					
	IEC 61000-6-2					
AS-i classification						
AS-i version	2.11 + 3.0					
Extended addressing mode possible	yes					
AS-i profile	S-B.A.E					
AS-i I/O configuration [hex]	B					
AS-i ID code [hex]	A.E					
AS-i certificate	100901					
Assignment of the data bits	data bit	D0	D1	D2	D3	
	input	-	-	3	4	
	socket	-	-	I-3	I-4	
	pin	-	-	4	4	
	Output	1	2	-	-	
	socket	O-1	O-2	-	-	
	pin	4	4	-	-	
Assignment of the parameter bits	parameter bit	Designation				
	P0	not used				
	P1	peripheral fault indication	: 1	activated	/ 0	deactivated
	P2	not used				
	P3	not used				
Mechanical data						
Weight [g]	110					
Type of mounting	backplane mounting					
Materials	PBT					
Displays / operating elements						
Display	switching status	LED, yellow				
	operation	LED, green				
	errors	LED, red				

AC2482



AS-Interface CompactLine module

CompactM8 2DI 2DO

Accessories	
Accessories (supplied)	panel for labelling
	Protective caps: 2
Accessories (optional)	Protective cap: M8, E73005
	Flat cable insulation displacement connector, with 0.6 m round cable, E70483
	Flat cable insulation displacement connector: M12, E70096
	DIN rail adapter, E73006

Remarks	
Pack quantity	1 pcs.

Electrical connection

Electrical connection - Outputs

	Outputs
1	not used
3	internal voltage E-
4	switching output +

Connector: 2 x M8



Electrical connection - Inputs

	Inputs
1	Sensor supply L+
3	Sensor supply L-
4	data input

Connector: 2 x M8



AC2482



AS-Interface CompactLine module

CompactM8 2DI 2DO

Electrical connection - AS-i

- 1 AS-i +
- 3 AS-i -

Connector: 1 x M12

