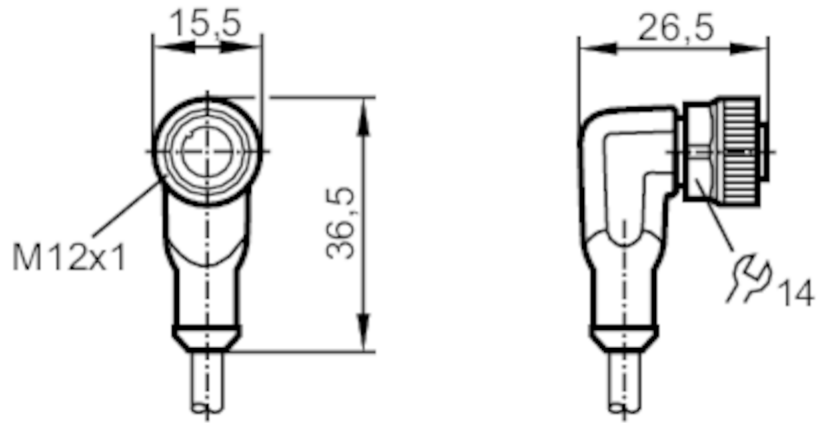


ENC14A



Connecting cable with socket

ADOAH050MSN0050H05/1G/1D



Application

| | |
|-----------------------|-----|
| Free from silicone | yes |
| Compatible with paint | yes |

Electrical data

| | |
|-----------------------------|---|
| Operating voltage [V] | < 30 DC |
| Protection class | II |
| Max. input power [mW] | group II: 1000; group IIIB: 1000; group IIIC: 550 (Ta < 90 °C) / 650 (Ta < 70 °C) / 750 (Ta < 40 °C) |
| Max. current load total [A] | 1 |

Operating conditions

| | |
|-----------------------------|---|
| Ambient temperature [°C] | -25...90 |
| Note on ambient temperature | for use in hazardous areas: ambient temperature in accordance with unit marking |
| Protection | IP 67; (outside hazardous areas: IP 68 / IP 69K) |

Tests / approvals

| | |
|--------------|--|
| Approval | BVS 11 ATEX E 009 X; IECEx BVS 11.0002 X |
| ATEX marking | ⊕ II 1G Ex ia IIB T6 Ga Ta: -25...80°C |
| | ⊕ II 2G Ex ia IIC T6 Gb Ta: -25...80°C |
| | ⊕ II 1D Ex ia IIIC T85°C Da Ta: -25...80°C |
| | ⊕ II 1G Ex ia IIB T5 Ga Ta: -25...90°C |
| | ⊕ II 2G Ex ia IIC T5 Gb Ta: -25...90°C |
| | ⊕ II 1D Ex ia IIIC T95°C Da Ta: -25...90°C |

ENC14A



Connecting cable with socket

ADOAH050MSN0050H05/1G/1D

| Safety classification | |
|---|--|
| Max. internal capacitance [nF] | 5 |
| Max. internal inductance [μ H] | 100 |
| Mechanical data | |
| Weight [g] | 1702.6 |
| Dimensions [mm] | 26.5 x 15.5 x 36.5 |
| Materials | housing: TPU orange; Sealing: FKM |
| Material nut | brass |
| Remarks | |
| Remarks | Special conditions for safe operation apply for use in hazardous areas. Observe the corresponding notes in the operating instructions (Ex protection related part). |
| Pack quantity | 1 pcs. |
| Electrical connection | |
| Cable: 50 m, PUR, Halogen-free, blue, \varnothing 4.9 mm; 5 x 0.34 mm ² (42 x \varnothing 0.1 mm) | |
| Electrical connection - socket | |
| Connector: 1 x M12, angled; Locking: brass, nickel-plated; Contacts: gold-plated; Tightening torque: 0.6...1.5 Nm | |

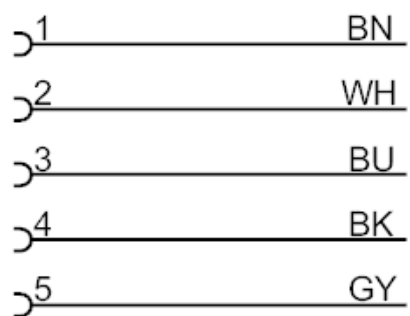
ENC14A



Connecting cable with socket

ADOAH050MSN0050H05/1G/1D

Connection



Core colours :

| | |
|------|-------|
| BK = | black |
| BN = | brown |
| BU = | blue |
| GY = | grey |
| WH = | white |