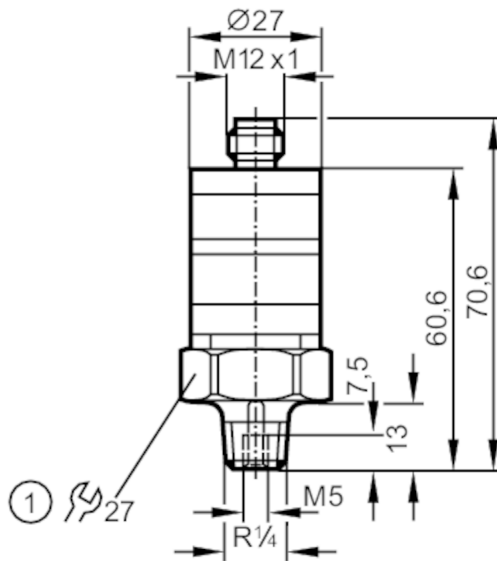


PK8730



Pressure switch with intuitive switch point setting

PK-400-SFP14-HCNKG/US/ IW



1 Tightening torque 25 Nm



Application	
Media	liquids and gases
Medium temperature [°C]	-25...80
Pressure rating	600 bar 60 MPa
Min. bursting pressure	1600 bar 160 MPa
Type of pressure	relative pressure
Electrical data	
Operating voltage [V]	9.6...32 DC
Current consumption [mA]	< 25
Min. insulation resistance [MΩ]	100; (500 V DC)
Protection class	III
Reverse polarity protection	yes
Inputs / outputs	
Number of inputs and outputs	Number of digital outputs: 2

PK8730



Pressure switch with intuitive switch point setting

PK-400-SFP14-HCNKG/US/ /W

Outputs		
Total number of outputs	2	
Output signal	switching signal	
Electrical design	NPN	
Number of digital outputs	2	
Output function	complementary	
Max. voltage drop switching output DC [V]	2	
Permanent current rating of switching output DC [mA]	500	
Switching frequency DC [Hz]	100	
Short-circuit protection	yes	
Type of short-circuit protection	pulsed	
Overload protection	yes	
Measuring/setting range		
Measuring range	0...400 bar	0...40 MPa
Set point SP	20...400 bar	2...40 MPa
Reset point rP	12...392 bar	1.2...39.2 MPa
Accuracy / deviations		
Switch point accuracy [% of the final value]	$< \pm 2,5$; (Setting accuracy)	
Repeatability [% of the final value]	$< \pm 0,5$; (with temperature fluctuations < 10 K)	
Characteristics deviation [% of the final value]	$< \pm 1,5$ (BFSL) / $< \pm 2,5$ (LS); (BFSL = Best Fit Straight Line; LS = limit value setting)	
Temperature drift per 10 K	$< \pm 0,5$	
Temperature drift per 10 K	$< \pm 0,5$	
Software / programming		
Adjustment of the switch point	setting rings	
Operating conditions		
Ambient temperature [°C]	-25...80	
Storage temperature [°C]	-40...100	
Protection	IP 67	
Tests / approvals		
EMC	EN 61000-4-2 ESD	4 kV CD / 8 kV AD
	EN 61000-4-3 HF radiated	10 V/m
	EN 61000-4-4 Burst	2 kV
	EN 61000-4-6 HF conducted	10 V
Shock resistance	DIN IEC 68-2-27	50 g (11 ms)
Vibration resistance	DIN IEC 68-2-6	20 g (10...2000 Hz)
MTTF [years]	540	

PK8730



Pressure switch with intuitive switch point setting

PK-400-SFP14-HCNKG/US/ /W

Mechanical data		
Weight [g]	92	
Materials	PBT; PC; FKM; stainless steel (1.4404 / 316L)	
Materials (wetted parts)	stainless steel (1.4404 / 316L)	
Min. pressure cycles	50 million	
Process connection	threaded connection R 1/4 external thread internal threadM5	
Displays / operating elements		
Display	operation	LED, green
	switching status	LED, yellow
With scale	yes	
Remarks		
Pack quantity	1 pcs.	

Electrical connection

Connector: 1 x M12



Connection

