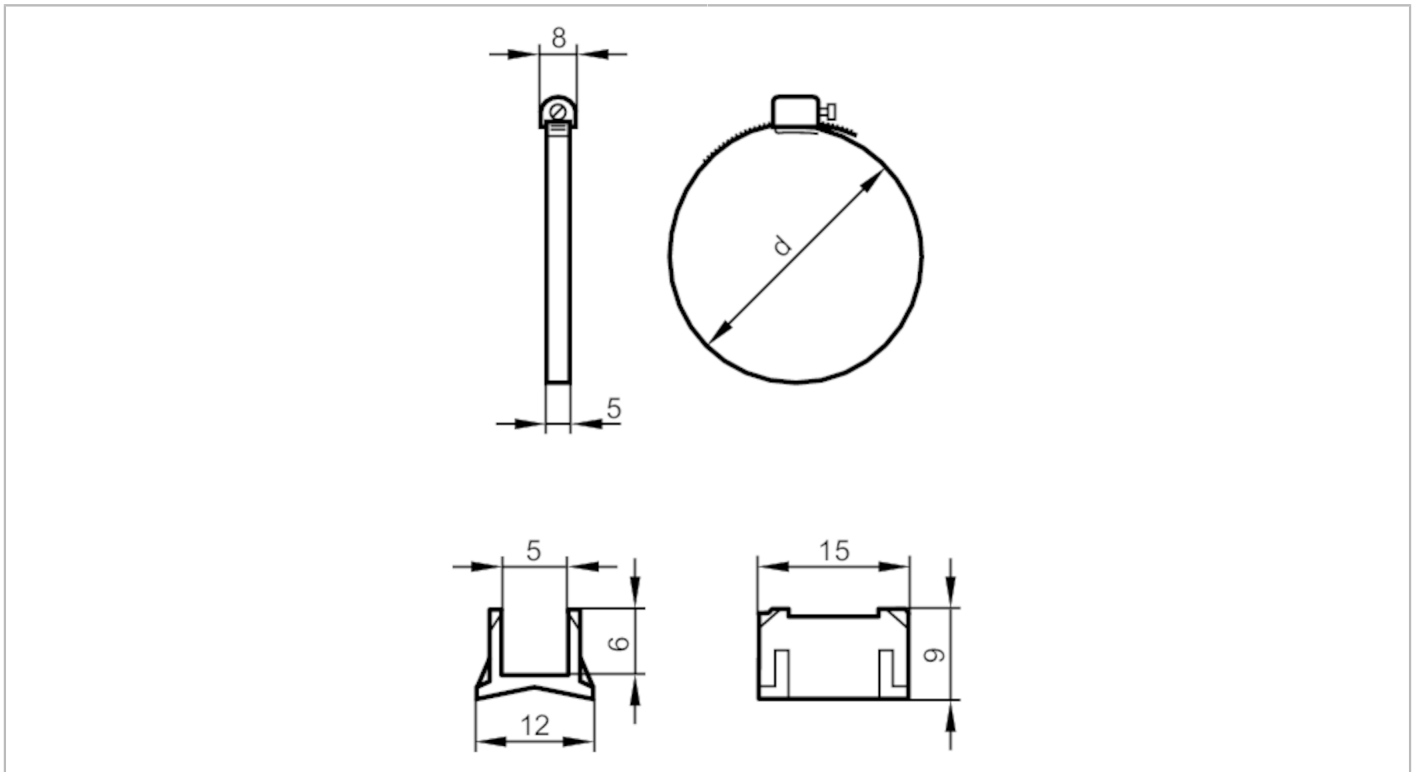


# E11817



## Fixing strap for clean-line cylinders

FIXING STRAP CLEAN-LINE CYL



### Mechanical data

Weight	[g]	6.2
Dimensions	[mm]	Ø 16
Materials		Adapter: PA; fixing strap: stainless steel (1.4305 / 303)
Piston diameter	[mm]	16...20
Clamping range	[mm]	18...29

### Accessories

Accessories (supplied)	Adapter., for types, MKT
------------------------	--------------------------

### Remarks

Pack quantity	1 pcs.
---------------	--------