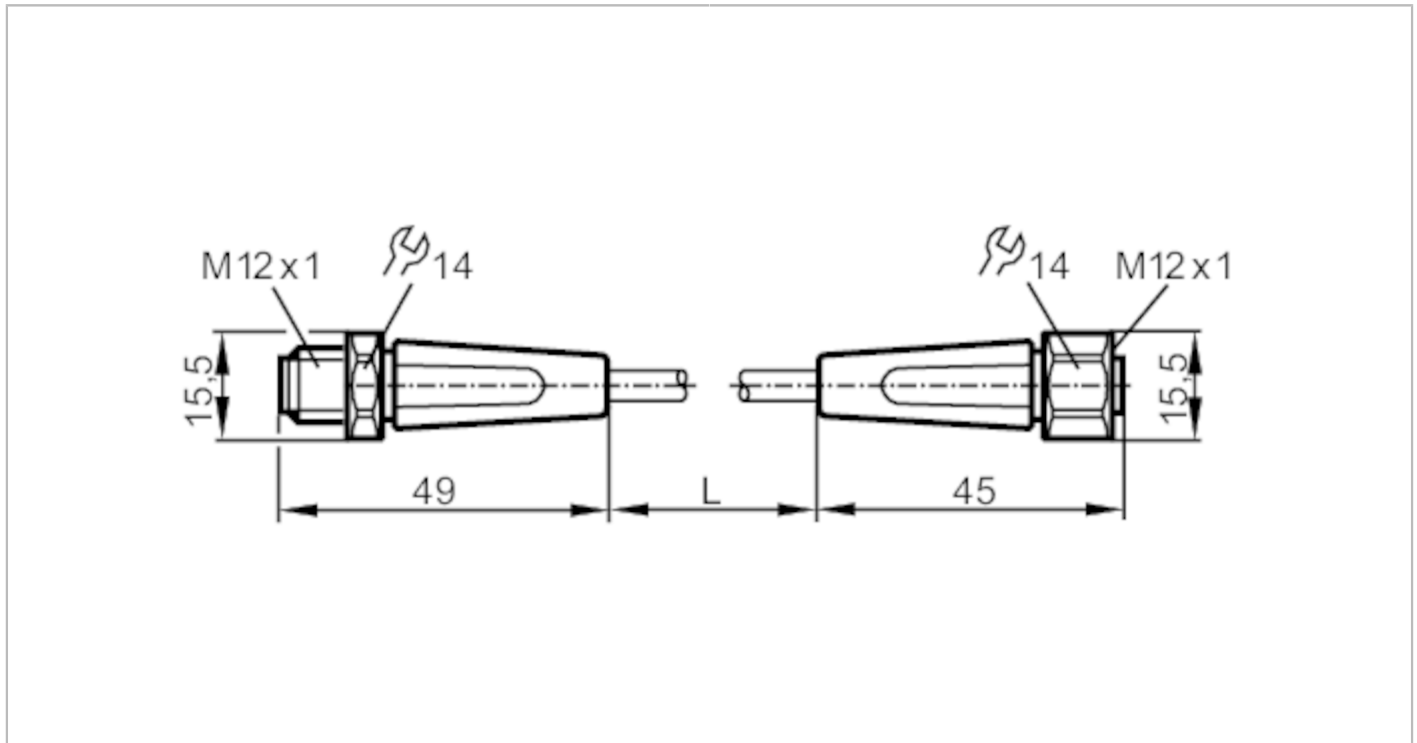


EVF494



Connection cable

VDOGH040VAP0005P04STGH040VAP



| Application | | |
|-----------------------------------|---|--|
| Application | hygienic and wet areas in the food industry | |
| Free from silicone | yes | |
| Electrical data | | |
| Operating voltage [V] | < 250 AC / < 300 DC | |
| Protection class | II | |
| Max. current load total [A] | 4 | |
| Operating conditions | | |
| Ambient temperature [°C] | -25...100 | |
| Ambient temperature (moving) [°C] | 0...100 | |
| Protection | IP 65; IP 67; IP 68; IP 69K | |
| Mechanical data | | |
| Weight [g] | 362.4 | |
| Materials | PP Halogen-free; Sealing: EPDM | |
| Material nut | stainless steel (1.4404 / 316L) / stainless steel (1.4404 / 316L) | |
| Drag chain suitability | bending radius for flexible use | min. 10 x cable diameter |
| | travel speed | max. 3.3 m/s for a horizontal travel length of 5 m and max. acceleration of 5 m/s ² |
| | bending cycles | > 1 Mio. |
| | torsional strain | ± 180 °/m |
| Drag chain suitability | yes | |
| Remarks | | |
| Pack quantity | 1 pcs. | |

EVF494



Connection cable

VDOGH040VAP0005P04STGH040VAP

Electrical connection

Cable: 5 m, MPPE, Halogen-free, grey, Ø 6.2 mm; 4 x 1.00 mm² (32 x Ø 0.2 mm)

Electrical connection - socket

Connector: 1 x M12, straight; Moulded body: PP, Halogen-free; Locking: stainless steel (1.4404 / 316L); Contacts: gold-plated; Tightening torque: 0.6...1.5 Nm



Electrical connection - plug

Connector: 1 x M12, straight; Moulded body: PP, Halogen-free; Locking: stainless steel (1.4404 / 316L); Contacts: gold-plated; Tightening torque: 0.6...1.2 Nm



Connection

