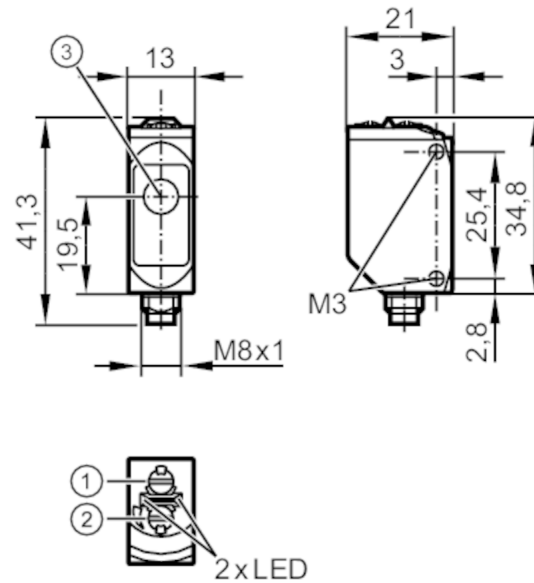


O6E306



Through-beam sensor receiver

O6E-FNKG/AS/3P



- 1 output function switch
- 2 potentiometer sensitivity
- 3 Light incidence



Application	
Function principle	Through-beam sensor
Electrical data	
Operating voltage [V]	10...30 DC
Current consumption [mA]	7; ((24 V))
Protection class	III
Reverse polarity protection	yes
Type of light	red light
Wave length [nm]	633
Outputs	
Electrical design	NPN
Output function	light-on/dark-on mode; (selectable)
Max. voltage drop switching output DC [V]	2.5
Permanent current rating of switching output DC [mA]	100
Switching frequency DC [Hz]	1000
Short-circuit protection	yes
Type of short-circuit protection	pulsed
Detection zone	
Transmitter / receiver	receiver
Range [m]	< 10
Range adjustable	yes

O6E306



Through-beam sensor receiver

O6E-FNKG/AS/3P

Operating conditions

Ambient temperature	[°C]	-25...80
Protection		IP 65; IP 67; IP 68; IP 69K

Tests / approvals

EMC		EN 60947-5-2	
MTTF	[years]		1014
UL approval		UL Approval no.	E001

Mechanical data

Weight	[g]	35
Housing		rectangular
Dimensions	[mm]	34.8 x 13 x 21
Materials		housing: stainless steel (1.4404 / 316L); plastics: PPSU; Sealing: EPDM
Lens material		PMMA
Lens alignment		side lens

Displays / operating elements

Display	switching status	1 x LED, yellow
	operation	1 x LED, green

Remarks

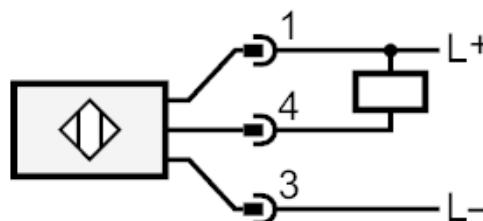
Remarks	operating voltage "supply class 2" according to cULus
Pack quantity	1 pcs.

Electrical connection

Connector: 1 x M8



Connection



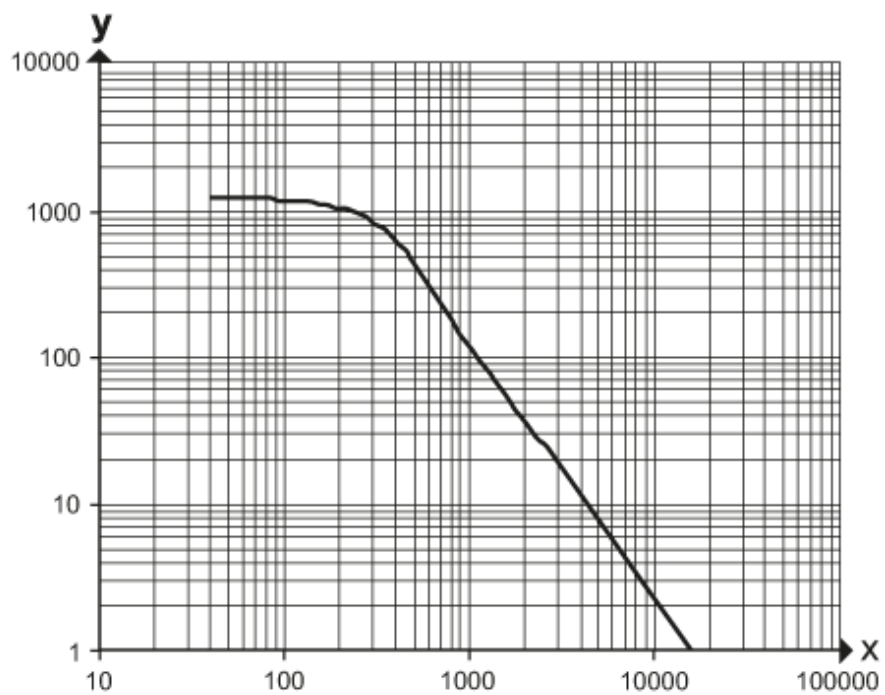


Through-beam sensor receiver

O6E-FNKG/AS/3P

Diagrams and graphs

excess gain graph



x: Abstand [mm]

y: Funktionsreservfaktor