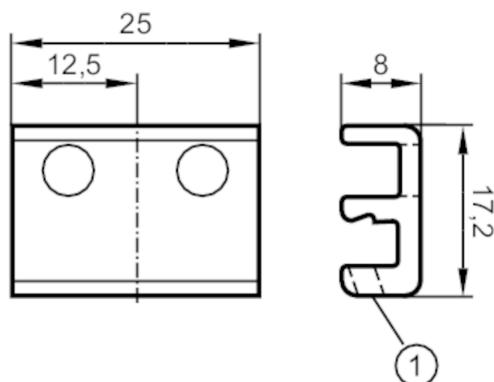


E12164



Mounting adapter for Bosch Rexroth pneumatic cylinders

ADAPT FOR ICL AND CDN CYL



1 Mounting screw SW 1.5

Application

Design

for types MKT

Mechanical data

Weight

[g]

7.8

Materials

Adapter: aluminium anodised; screw: stainless steel

Tightening torque

[Nm]

0.4

Accessories

Accessories (supplied)

Mounting screw

Remarks

Pack quantity

1 pcs.