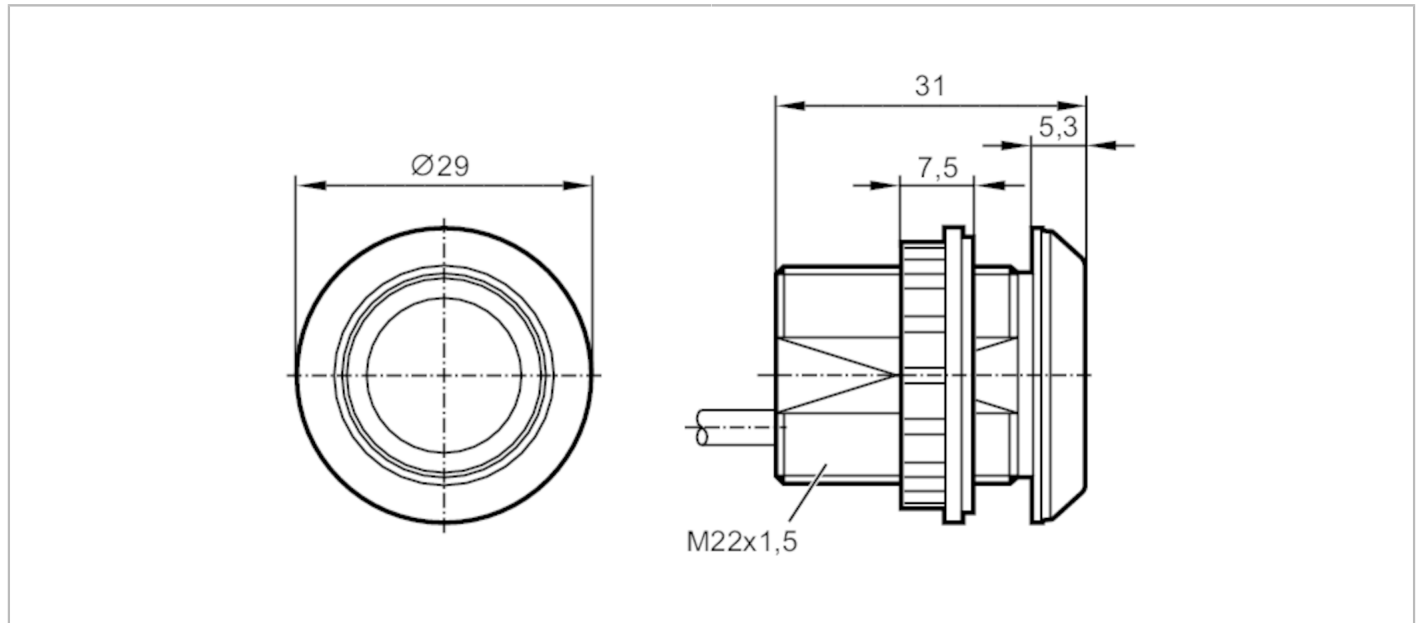


# KT5150



## Capacitive illuminated pushbutton

KTMBF-KRGBPKG/2M



CE

Application	
Operating principle	bistable
Electrical data	
Operating voltage [V]	12...30 DC
Current consumption [mA]	30
Protection class	III
Reverse polarity protection	yes
Max. power-on delay time [ms]	500
Outputs	
Electrical design	PNP
Output function	normally open
Permanent current rating of switching output DC [mA]	200
Short-circuit protection	yes
Overload protection	yes
Response times	
Response time [ms]	35
Operating conditions	
Ambient temperature [°C]	-40...85
Protection	IP 65; IP 67; IP 69K; (on the front)
Tests / approvals	
EMC	IEC 61000-4
Mechanical data	
Weight [g]	99.1
Dimensions [mm]	Ø 29 / L = 31
Materials	PA 6.6-GF30 black; active face: PA Grilamid TR 90UV

# KT5150



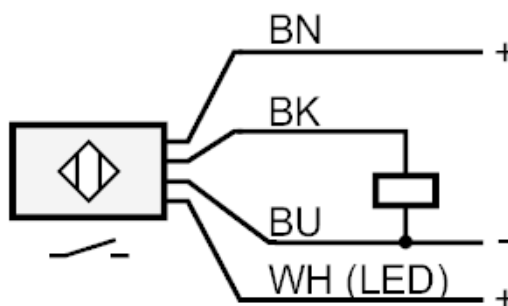
## Capacitive illuminated pushbutton

KTMBF-KRGBPKG/2M

Displays / operating elements		
Display	switching status	1 x LED, green
	function	1 x LED, red can be triggered
Accessories		
Accessories (supplied)	lock nuts: 1	
	Gasket: 1	
Accessories (optional)	symbol disc	
Remarks		
Pack quantity		1 pcs.

**Electrical connection**  
Cable: 2 m, PUR

### Connection



Core colours :

- BK = black
- BN = brown
- BU = blue
- WH = white