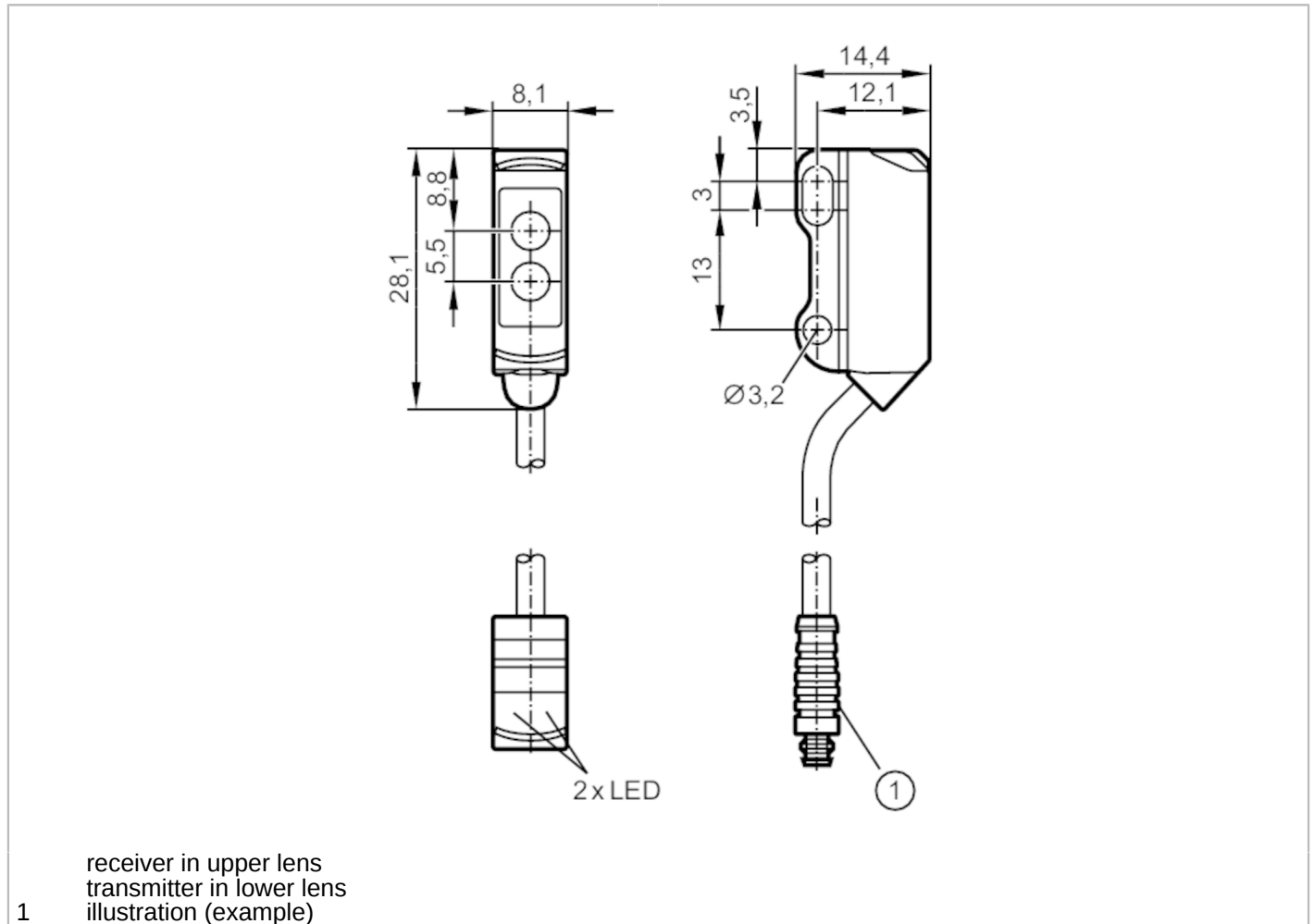


# O8H217



## Diffuse reflection sensor with background suppression

O8H-HNKG/0,30M/AS/4P



| Application                 |                           |
|-----------------------------|---------------------------|
| Function principle          | Diffuse reflection sensor |
| Electrical data             |                           |
| Operating voltage [V]       | 10...30 DC                |
| Current consumption [mA]    | 20; ((24 V))              |
| Protection class            | III                       |
| Reverse polarity protection | yes                       |
| Type of light               | red light                 |
| Wave length [nm]            | 633                       |

# O8H217



## Diffuse reflection sensor with background suppression

O8H-HNKG/0,30M/AS/4P

| Outputs   |                  |   |
|---|------------------|---|
| Electrical design                               |                  | NPN   |
| Output function                                 |                  | light-on mode                                 |
| Max. voltage drop switching output DC           | [V]              | 2.5   |
| Permanent current rating of switching output DC | [mA]             | 100   |
| Switching frequency DC                          | [Hz]             | 1000  |
| Short-circuit protection                        |                  | yes   |
| Type of short-circuit protection                |                  | pulsed  |
| Detection zone                                  |                  |   |
| Range   | [mm]             | 1...50; (white paper 200 x 200 mm)            |
| Range on white object (90 % remission)          | [mm]             | 1...50  |
| Range on grey object (18 % remission)           | [mm]             | 3...50  |
| Range on black object (6 % remission)           | [mm]             | 5...50  |
| Range adjustable                                |                  | no  |
| Max. light spot diameter                        | [mm]             | 4   |
| Light spot dimensions refer to                  |                  | at maximum range                              |
| Background suppression available                |                  | yes   |
| Operating conditions                            |                  |   |
| Ambient temperature                             | [°C]             | -25...60                                      |
| Protection                                      |                  | IP 65; IP 67                                  |
| Tests / approvals                               |                  |   |
| EMC   |                  | EN 60947-5-2                                  |
| MTTF  | [years]          | 757   |
| Mechanical data                                 |                  |   |
| Weight  | [g]              | 20.4  |
| Housing   |                  | rectangular                                   |
| Dimensions                                      | [mm]             | 28.1 x 8.1 x 14.4                             |
| Materials                                       |                  | housing: ABS; stainless steel (1.4404 / 316L) |
| Lens material                                   |                  | PMMA  |
| Lens alignment                                  |                  | side lens                                     |
| Displays / operating elements                   |                  |   |
| Display   | switching status | 1 x LED, yellow                               |
|   | operation        | 1 x LED, green                                |
| Remarks   |                  |   |
| Pack quantity                                   |                  | 1 pcs.  |
| Electrical connection                           |                  |   |
| Cable: 0.3 m, PVC; 3 x 0.08 mm <sup>2</sup>     |                  |   |
| Connector: 1 x M8                               |                  |   |

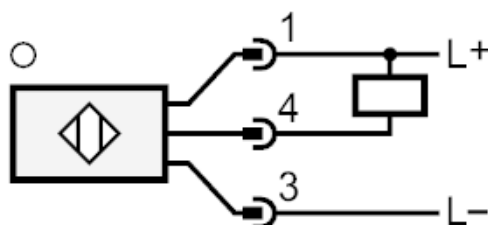


## Diffuse reflection sensor with background suppression

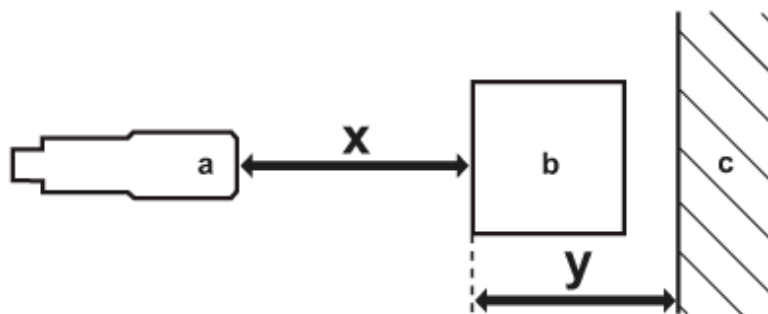
O8H-HNKG/0,30M/AS/4P



### Connection



### Diagrams and graphs



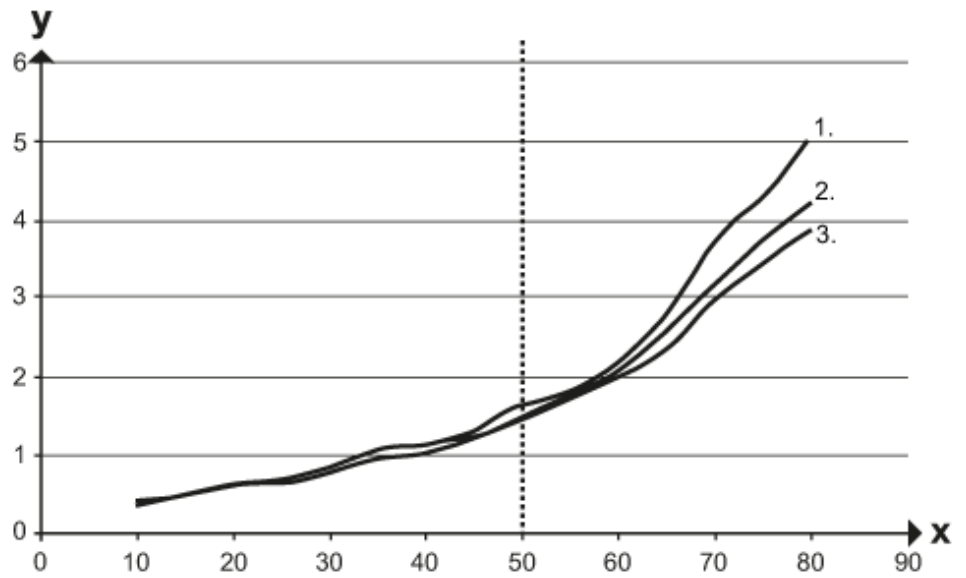
- a: sensor
- b: object
- c: background
- x: distance sensor/object [mm]
- y: min. distance object/background [mm]



## Diffuse reflection sensor with background suppression

O8H-HNKG/0,30M/AS/4P

accuracy graph



x: distance sensor/object [mm]

y: min. distance object/background [mm]

1 = object black (6 % remission) , background (white 90 % remission)

2 = object grey (18 % remission) , background (white 90 % remission)

3 = object white (90 % remission) , background (white 90 % remission)