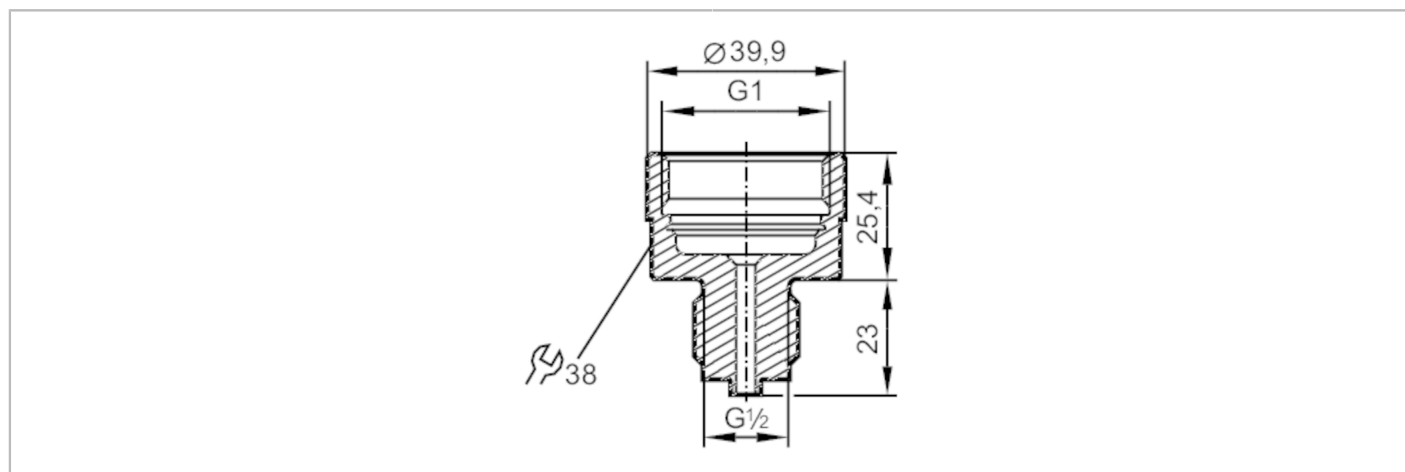


E30131



Mounting adapter for process sensors

ADAPT G1 / G1/2 A DIN EN 837-3



ACS Reg31

Mechanical data	
Weight [g]	190
Materials	stainless steel (1.4404 / 316L)
Sensor connection	G 1 Aseptoflex Vario
Process connection	G 1/2
Accessories	
Accessories (supplied)	O-rings: 1, EPDM
Remarks	
Pack quantity	1 pcs.