

E21050

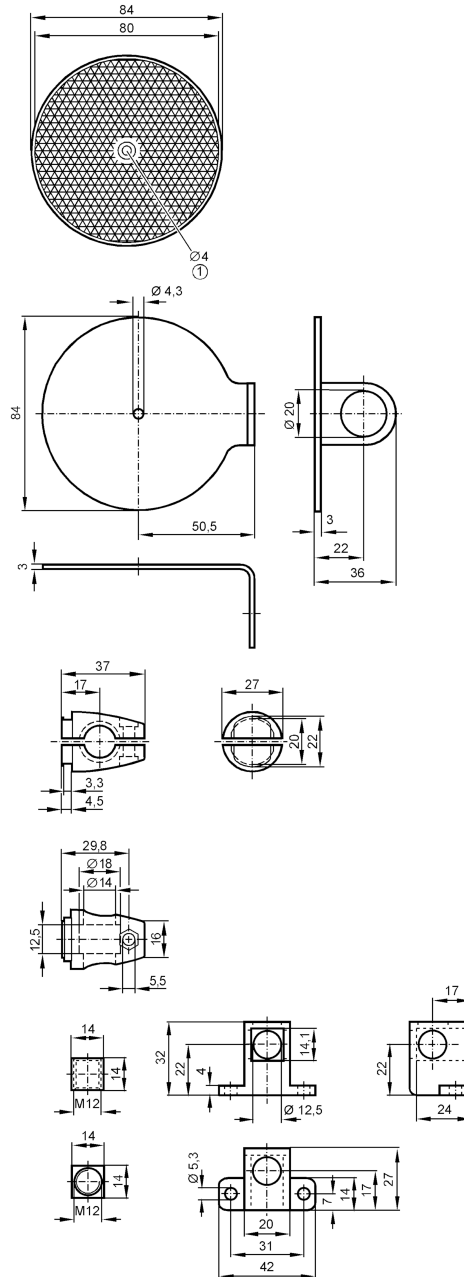


Mounting set for reflectors

SET E20952+E20005+E20914

Status Archive

E20952 + E20005 + E20914



Application	
Design	for reflector
Mechanical data	
Weight [g]	515
Type of mounting	aluminium profile
Materials	fixture: stainless steel (1.4571/316Ti); Clamp: diecast zinc; Cube: diecast zinc; Prismatic reflector: plastics
Accessories	
Accessories (supplied)	screw: 1 x M12 x 120

E21050



Mounting set for reflectors

SET E20952+E20005+E20914

Remarks	
Notes	discontinued article
Pack quantity	1 pcs.

Status Archive

E20952 + E20005 + E20914