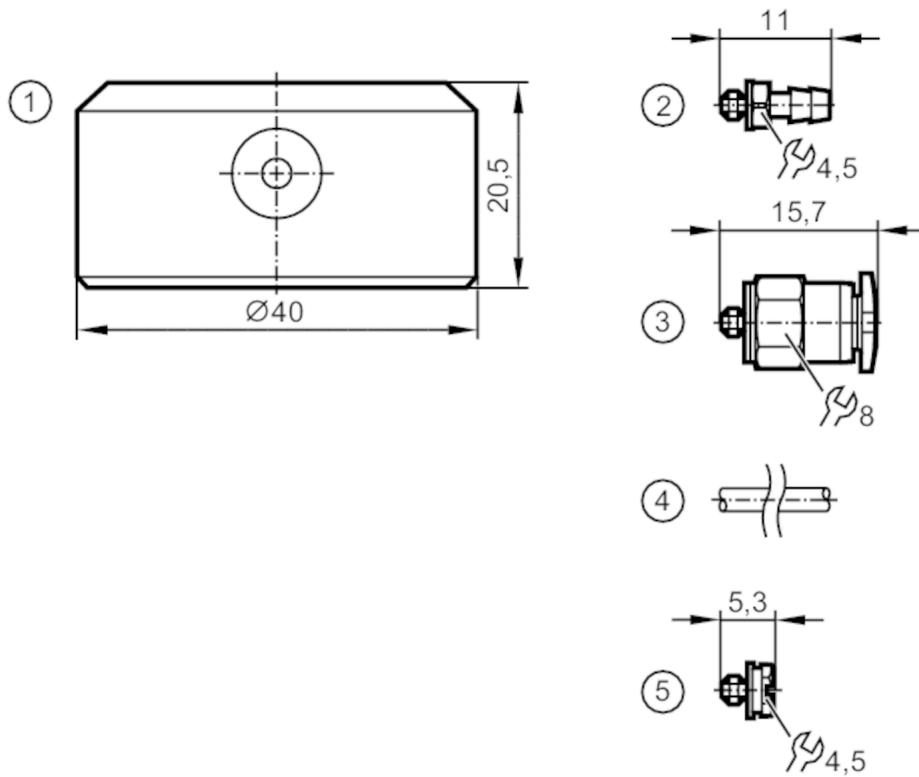


# E30038



## Filter cover for pressure sensors

COVER FILTER SYSTEM



- 1 venting cap
- 2 air line fitting
- 3 air line fitting
- 4 tubing
- 5 Blanking plug

### Application

Design for pressure sensors Typ PB, PN, PY, PZ

### Mechanical data

Weight [g] 22.2

Materials PE-HD black; O-ring: FKM

### Remarks

Pack quantity 1 pcs.