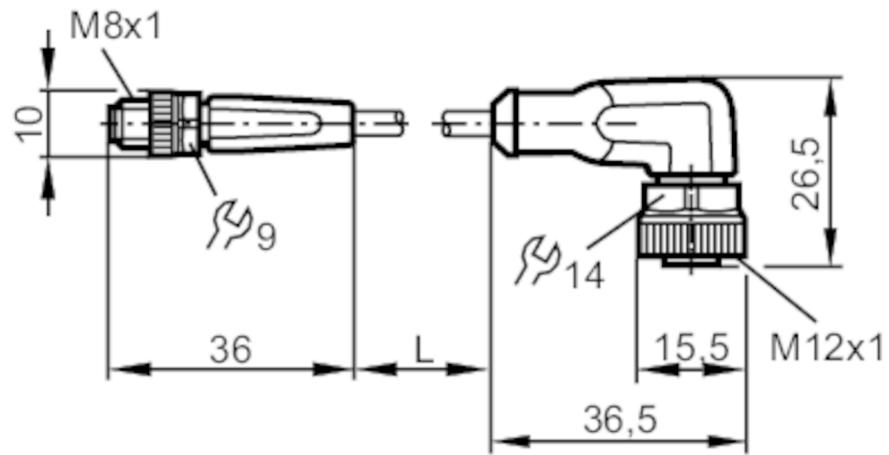


EVW091



Connection cable

VDOAH030SCS00,6T03STGF030SCS



Application

Application	welding applications
Free from silicone	yes

Electrical data

Operating voltage	[V]	< 50 AC / < 60 DC
Protection class		III
Max. current load total	[A]	3

Operating conditions

Ambient temperature	[°C]	-25...90
Note on ambient temperature		cULus: ...75
Ambient temperature (moving)	[°C]	-25...90
Note on ambient temperature (moving)		cULus: ...75
Protection		IP 65; IP 67; IP 68; IP 69K

EVW091



Connection cable

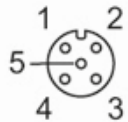
VDOAH030SCS00,6T03STGF030SCS

Mechanical data		
Weight [g]	43.2	
Dimensions [mm]	10 x 10 x 36	
Materials	housing: TPU orange; Sealing: FKM	
Material nut	brass / brass	
Drag chain suitability	bending radius for flexible use	min. 10 x cable diameter
	travel speed	max. 3.3 m/s for a horizontal travel length of 5 m and max. acceleration of 5 m/s ²
	bending cycles	> 2 Mio.
	torsional strain	± 180 °/m
Drag chain suitability	yes	

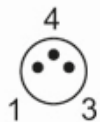
Remarks	
Remarks	without label holders
Pack quantity	1 pcs.

Electrical connection	
Cable: 0.6 m, PUR, Halogen-free, grey, Ø 4.5 mm; not irradiated (can be recycled); 3 x 0.25 mm ² (32 x Ø 0.1 mm)	
Cable: 0.6 m, PUR, Halogen-free, grey, Ø 4.5 mm; resistant to welding sparks; 3 x 0.25 mm ² (32 x Ø 0.1 mm)	

Electrical connection - socket	
Connector: 1 x M12, angled; Locking: brass, anti-spatter; Contacts: gold-plated; Tightening torque: 0.6...1.5 Nm	



Electrical connection - plug	
Connector: 1 x M8, straight; Locking: brass, anti-spatter; Contacts: gold-plated; Tightening torque: 0.3...0.5 Nm	



EVW091



Connection cable

VDOAH030SCS00,6T03STGF030SCS

Connection

