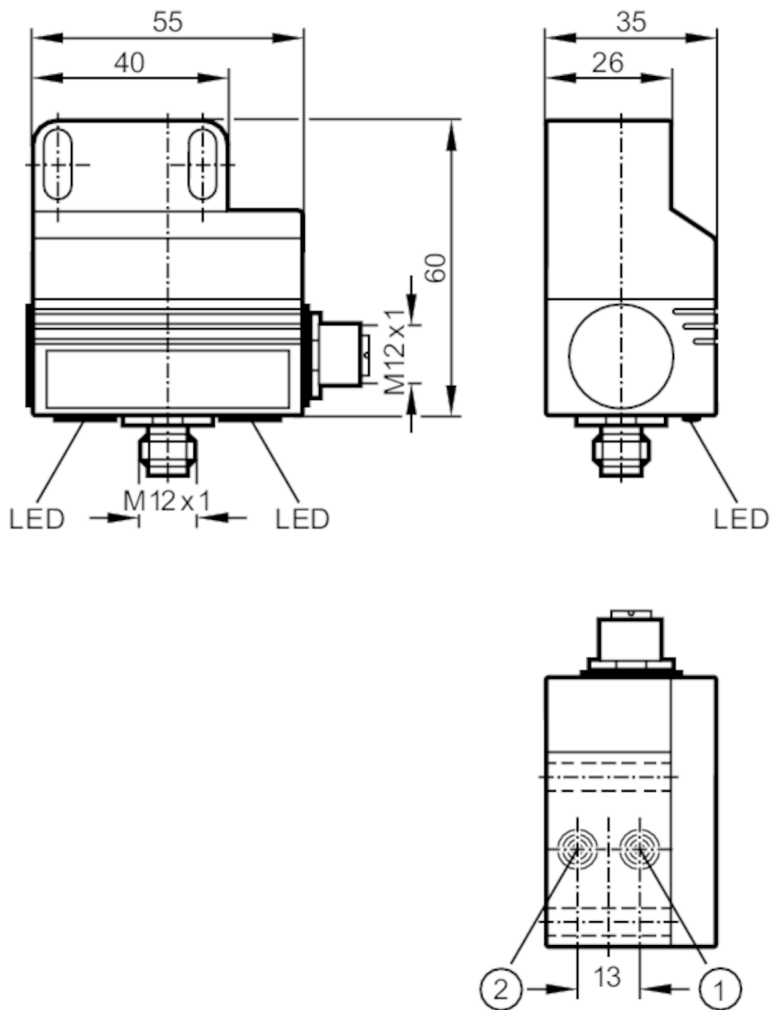


# AC2316



## AS-Interface dual sensor for pneumatic quarter-turn actuators

DUAL SENSOR T5 2SI 1DO T M12



- 1 sensor 1
- 2 sensor 2



Electrical data	
Operating voltage	[V] 26.5...31.6 DC; ("supply class 2" to cULus)
Current consumption	[mA] < 160
Outputs	
Electrical design	AS-i
Permanent current rating of switching output DC	[mA] 100
Detection zone	
Sensing range	[mm] 4
Operating conditions	
Ambient temperature	[°C] -20...70
Protection	IP 67

# AC2316



## AS-Interface dual sensor for pneumatic quarter-turn actuators

DUAL SENSOR T5 2SI 1DO T M12

Tests / approvals		
EMC	EN 50295	
	EN 61000-6-2	
MTTF [years]		310
AS-i classification		
AS-i version		2.1
Extended addressing mode possible		yes
AS-i I/O configuration [hex]		0
AS-i ID code [hex]		A.F
AS-i certificate		74901
Mechanical data		
Weight [g]		177.5
Mounting		non-flush mountable
Dimensions [mm]		55 x 60 x 35
Materials		PBT; connector housing: stainless steel (1.4305 / 303)
Displays / operating elements		
Display	switching status	2 x LED, yellow
Accessories		
Accessories (supplied)		Reinforcement bracket socket head screws: 2 x M5 x 35 washers: 2
Remarks		
Pack quantity		1 pcs.
Electrical connection - socket		
Connector: 1 x M12		

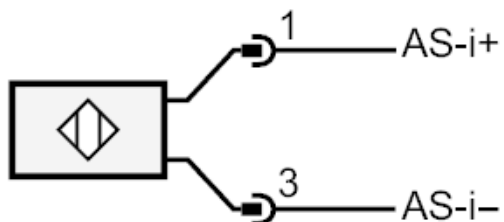
# AC2316



## AS-Interface dual sensor for pneumatic quarter-turn actuators

DUAL SENSOR T5 2SI 1DO T M12

### Connection

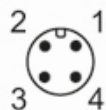


3 Externe\_Spannung

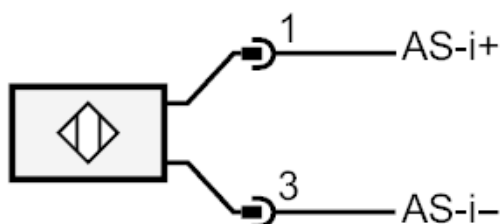
4 switching output 1+

### Electrical connection - plug

Connector: 1 x M12



### Connection



3 Externe\_Spannung

4 switching output 1+