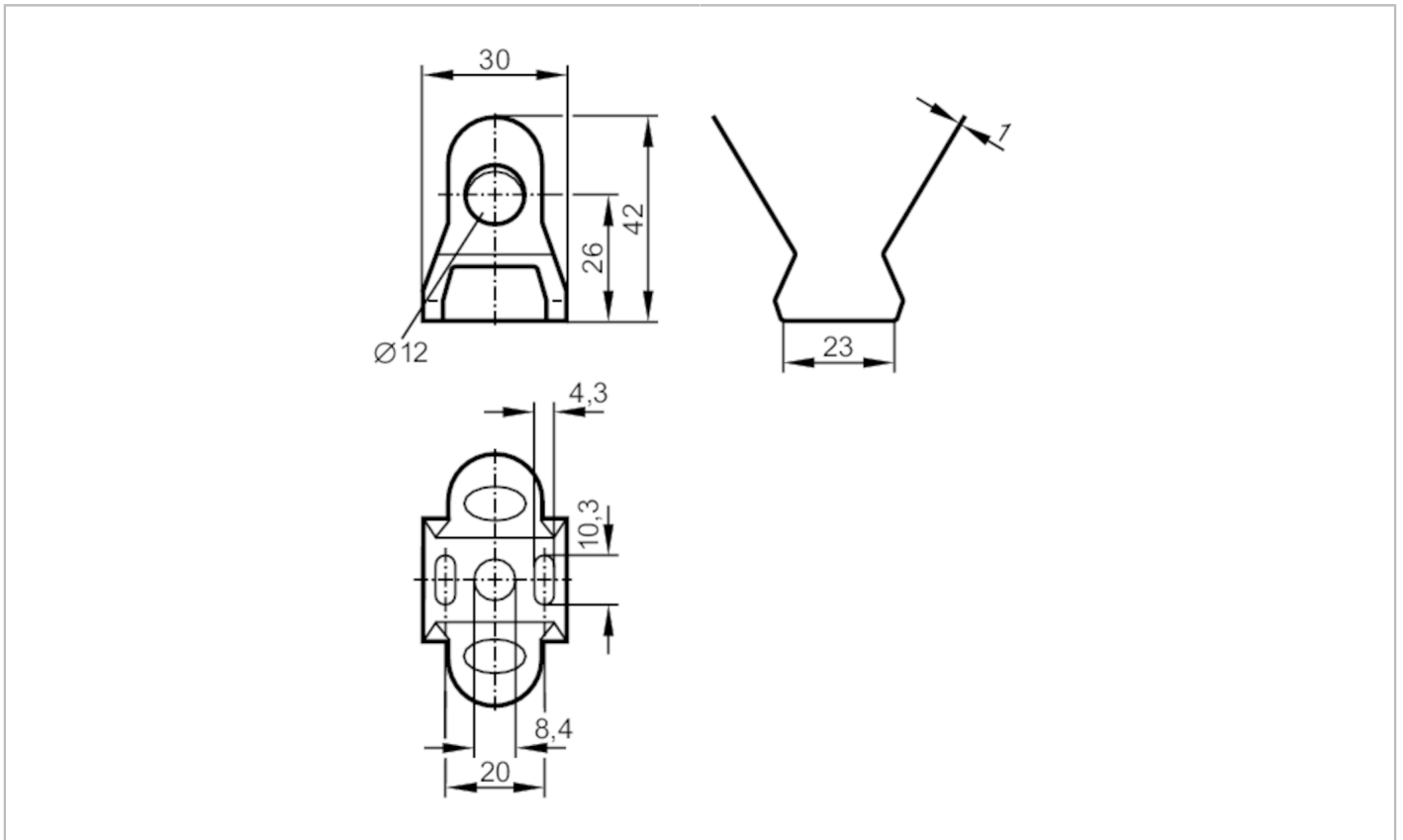


E11530



Mounting clip

MOUNTING CLIP V4A D12 MM



Application

Design for smooth-body units Ø 12 mm

Mechanical data

Weight [g] 14

Dimensions [mm] Ø 12

Materials stainless steel (1.4404 / 316L)

Remarks

Pack quantity 1 pcs.

Diagrams and graphs